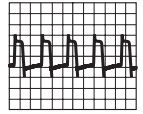
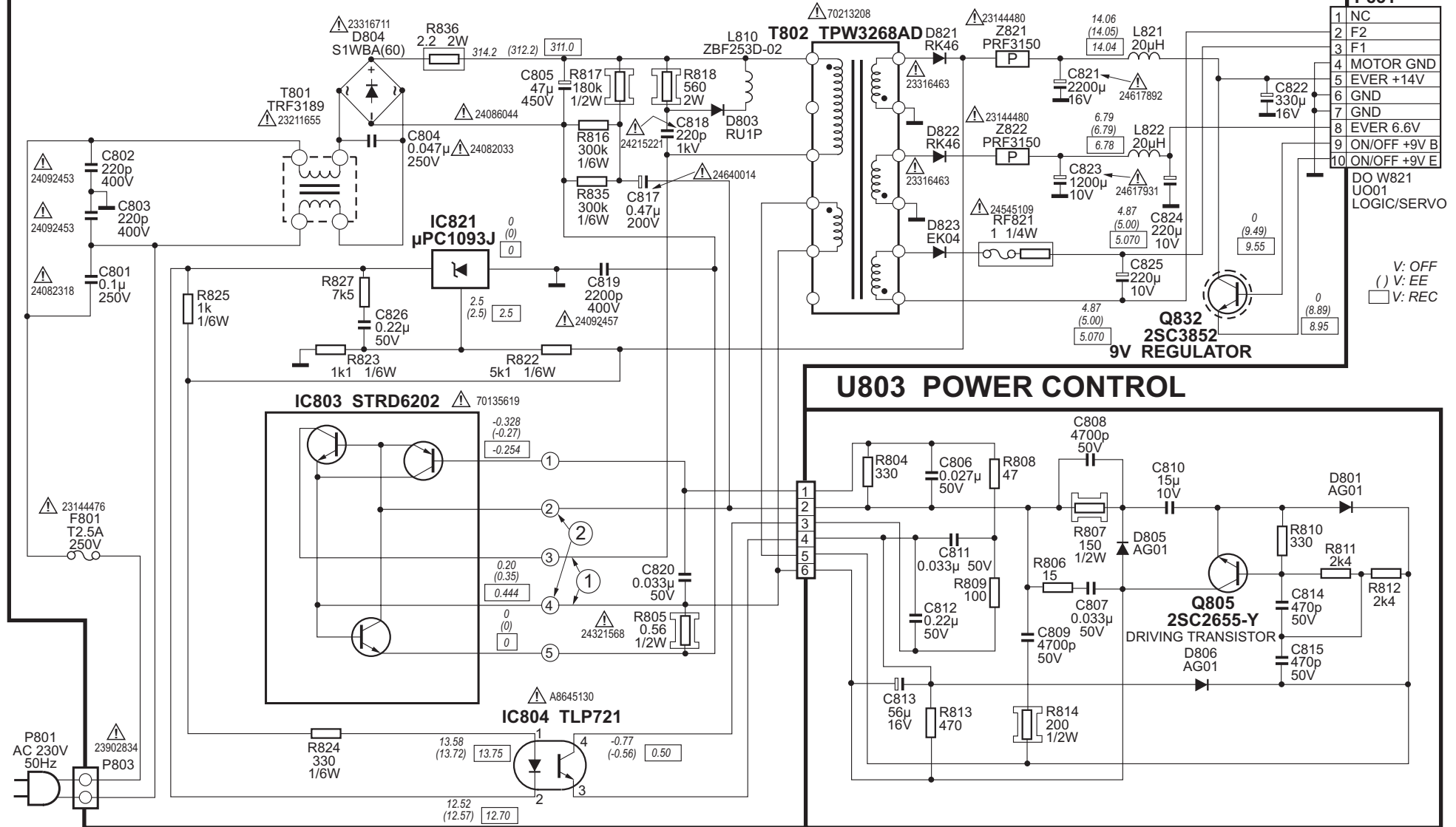


① IC803, n. 3 i 4
 V_{CE}
 V: 100V/dz
 H: 5 μ s/dz



② IC803, n. 2 i 4
 V_{BE}
 V: 0.5V/dz
 H: 5 μ s/dz

U802 POWER



P831

1	NC
2	F2
3	F1
4	MOTOR GND
5	EVER +14V
6	GND
7	GND
8	EVER 6.6V
9	ON/OFF +9V B
10	ON/OFF +9V E

DO W821
 UO01
 LOGIC/SERVO

V: OFF
 () V: EE
 □ V: REC

U803 POWER CONTROL

