

**FEATURES**

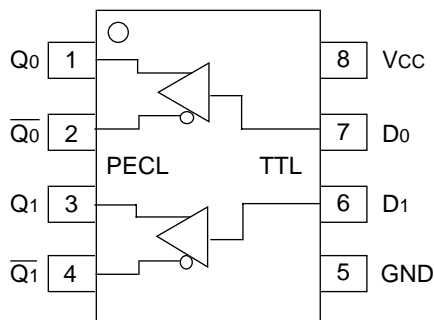
- 300ps typical propagation delay
- <100ps output-to-output skew
- Differential PECL outputs
- PNP TTL inputs for minimal loading
- Flow-through pinouts
- Available in 8-pin SOIC package

**DESCRIPTION**

The SY10/100ELT22 are dual TTL-to-differential PECL translators. Because PECL (Positive ECL) levels are used, only +5V and ground are required. The small outline 8-lead SOIC package and the low skew, dual gate design of the ELT22 makes it ideal for applications which require the translation of a clock and a data signal.

The ELT22 is available in both ECL standards: the 10ELT is compatible with positive ECL 10H logic levels, while the 100ELT is compatible with positive ECL 100K logic levels.

**PIN CONFIGURATION/BLOCK DIAGRAM**



**SOIC  
TOP VIEW**

**PIN NAMES**

Pin	Function
Q <sub>n</sub>	Differential PECL Outputs
D <sub>n</sub>	TTL Inputs
V <sub>cc</sub>	+5.0V Supply
GND	Ground

### ABSOLUTE MAXIMUM RATINGS<sup>(1)</sup>

Symbol	Parameter	Value	Unit
V <sub>CC</sub>	Power Supply Voltage	-0.5 to +7.0	V
V <sub>I</sub>	TTL Input Voltage	-0.5 to V <sub>CC</sub>	V
I <sub>I</sub>	TTL Input Current	-30 to +5.0	mA
I <sub>OUT</sub>	PECL Output Current — Continuous — Surge	50 100	mA
T <sub>store</sub>	Storage Temperature	-65 to +150	°C
T <sub>amb</sub>	Operating Temperature	-40 to +85	°C

### TRUTH TABLE

D	Q	$\bar{Q}$
H	H	L
L	L	H
Open	H	L

**NOTE:**

- Permanent device damage may occur if ABSOLUTE MAXIMUM RATINGS are exceeded. This is a stress rating only and functional operation is not implied at conditions other than those detailed in the operational sections of this data sheet. Exposure to ABSOLUTE MAXIMUM RATING conditions for extended periods may affect device reliability.

### DC ELECTRICAL CHARACTERISTICS<sup>(1)</sup>

V<sub>CC</sub> = V<sub>CC</sub> (Min.) to V<sub>CC</sub> (Max.)

Symbol	Parameter	T <sub>A</sub> = -40°C		T <sub>A</sub> = 0°C		T <sub>A</sub> = +25°C		T <sub>A</sub> = +85°C		Unit	Condition
		Min.	Max.	Min.	Max.	Min.	Max.	Min.	Max.		
I <sub>CC</sub>	Power Supply Current	—	30	—	30	—	30	—	30	mA	—

**NOTE:**

- Parametric values specified at: 5 volt Power Supply Range 100ELT22 Series: +4.2V to +5.5V.  
10ELT22 Series +4.75V to +5.5V.

### AC ELECTRICAL CHARACTERISTICS<sup>(1)</sup>

V<sub>CC</sub> = V<sub>CC</sub> (Min.) to V<sub>CC</sub> (Max.)

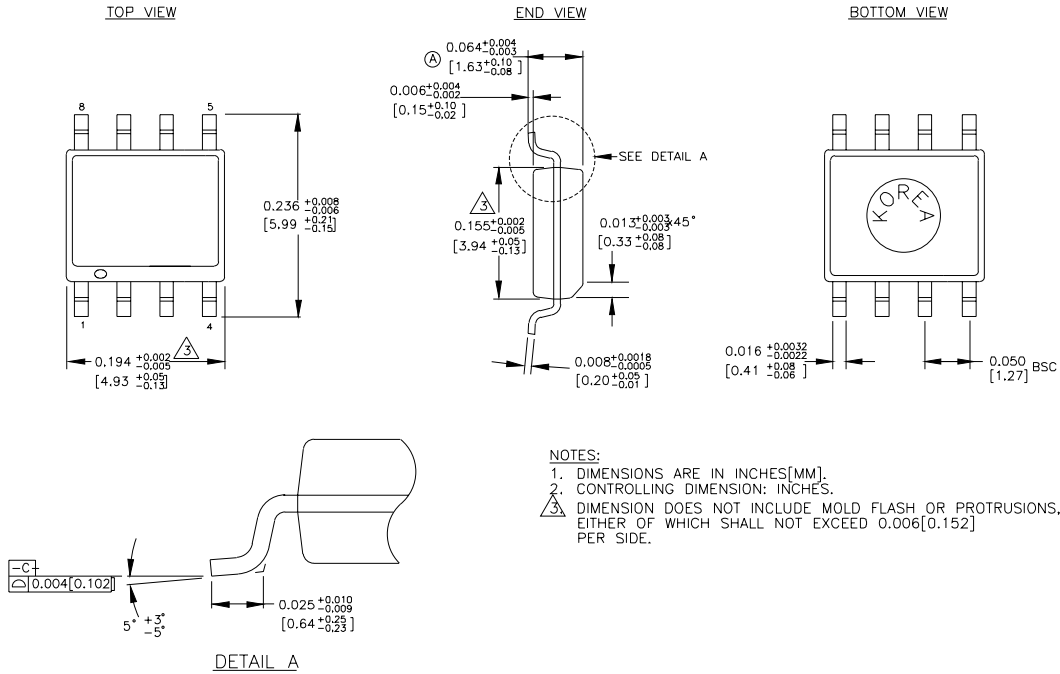
Symbol	Parameter	T <sub>A</sub> = -40°C		T <sub>A</sub> = 0°C		T <sub>A</sub> = +25°C		T <sub>A</sub> = +85°C		Unit	Condition
		Min.	Max.	Min.	Max.	Min.	Max.	Min.	Max.		
t <sub>PLH</sub> t <sub>PHL</sub>	Propagation Delay to Output D, ENECL/ENTTL	100	600	100	600	100	600	100	600	ps	50Ω to V <sub>CC</sub> - 2.0V
t <sub>r</sub> t <sub>f</sub>	Output Rise/Fall Time 20% to 80%	200	500	200	500	200	500	200	500	ps	50Ω to V <sub>CC</sub> - 2.0V
t <sub>skpp</sub>	Part-to-Part Skew <sup>(2)</sup>	—	500	—	500	—	500	—	500	ps	50Ω to V <sub>CC</sub> - 2.0V
t <sub>skew</sub>	Within-Device Skew <sup>(2,3)</sup>	—	100	—	100	—	100	—	100	ps	50Ω to V <sub>CC</sub> - 2.0V

**NOTE:**

- Parametric values specified at: 5 volt Power Supply Range 100ELT22 Series: +4.2V to +5.5V.  
10ELT22 Series +4.75V to +5.5V.
- Guaranteed, but not tested.
- Same transition @common V<sub>CC</sub> levels.



**8 LEAD SOIC .150" WIDE (Z8-1)**



Rev. 03

**MICREL-SYNERGY 3250 SCOTT BOULEVARD SANTA CLARA CA 95054 USA**

TEL + 1 (408) 980-9191 FAX + 1 (408) 914-7878 WEB <http://www.micrel.com>

This information is believed to be accurate and reliable, however no responsibility is assumed by Micrel for its use nor for any infringement of patents or other rights of third parties resulting from its use. No license is granted by implication or otherwise under any patent or patent right of Micrel Inc.

© 2000 Micrel Incorporated