

# 15-Bit, Fast-Integrating CMOS Analog-To-Digital Converter

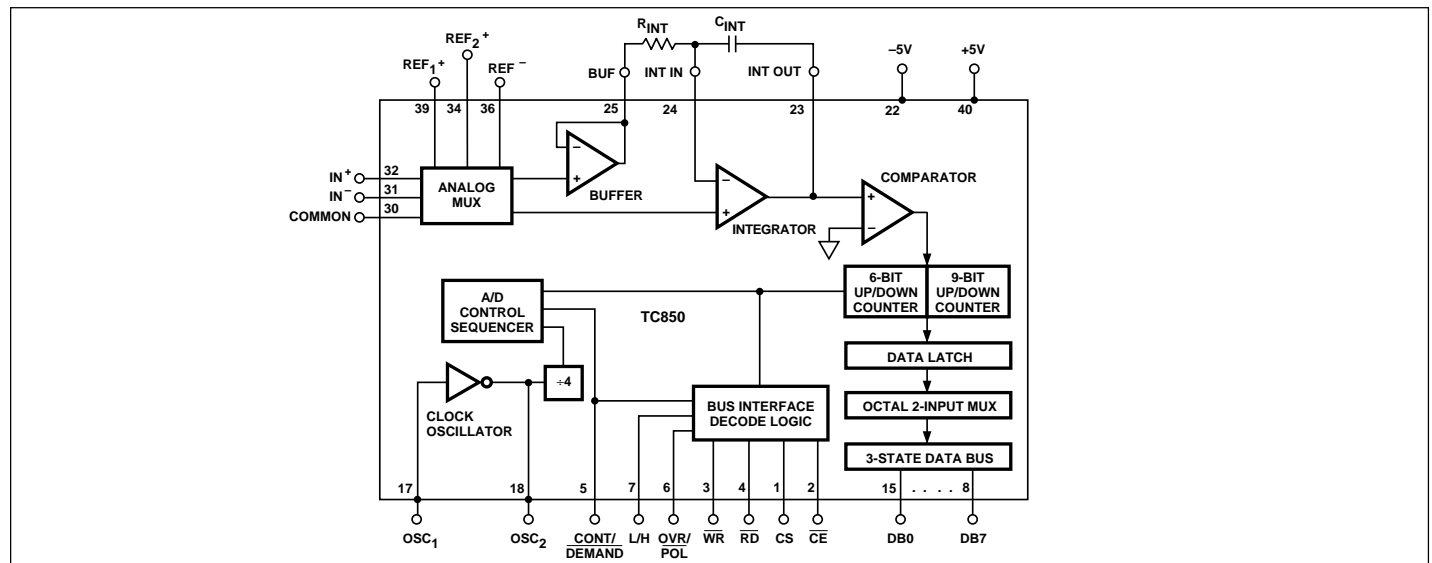
## FEATURES

- 15-bit Resolution Plus Sign Bit
- Up to 40 Conversions per Second
- 12 Conversions per Second Guaranteed
- Integrating ADC Technique
  - Monotonic
  - High Noise Immunity
  - Auto-Zeroed Amplifiers Eliminate Offset Trimming
- Wide Dynamic Range ..... 96dB
- Low Input Bias Current ..... 30pA
- Low Input Noise ..... 30μV<sub>p-p</sub>
- Sensitivity ..... 100μV
- Flexible Operational Control
  - Continuous or On-Demand Conversions
  - Data Valid Output
- Bus Compatible, 3-State Data Outputs
  - 8-Bit Data Bus
  - Simple μP Interface
  - Two Chip Enables
  - Read ADC Result Like Memory
- ±5V Power Supply Operation ..... 20mW
- 40-Pin Dual-in-Line or 44-Pin PLCC Packages

## ORDERING INFORMATION

Part No.	Package	Temperature Range
TC850CLW	44-Pin PLCC	0°C to +70°C
TC850CPL	40-Pin Plastic DIP	0°C to +70°C
TC850IJL	40-Pin CerDIP	-25°C to +85°C
TC850ILW	44-Pin PLCC	-25°C to +85°C

## FUNCTIONAL BLOCK DIAGRAM



## GENERAL DESCRIPTION

The TC850 is a monolithic CMOS analog-to-digital converter (ADC) with resolution of 15-bits plus sign. It combines a chopper-stabilized buffer and integrator with a unique multiple-slope integration technique that increases conversion speed. The result is 16 times improvement in speed over previous 15-bit, monolithic integrating ADCs (from 2.5 conversions per sec up to 40 per sec). Faster conversion speed is especially welcome in systems with human interface, such as digital scales.

The TC850 incorporates an ADC and a μP-compatible digital interface. Only a voltage reference and a few noncritical passive components are required to form a complete 15-bit plus sign ADC.

CMOS processing provides the TC850 with high-impedance differential inputs. Input bias current is typically only 30pA, permitting direct interface to sensors. Input sensitivity of 100μV per least significant bit (LSB) eliminates the need for precision external amplifiers. The internal amplifiers are auto-zeroed, guaranteeing a zero digital output with 0V analog input. Zero adjustment potentiometers or calibrations are not required.

The TC850 outputs data on an 8-bit, 3-state bus. Digital inputs are CMOS compatible; outputs are TTL/CMOS compatible. Chip-enable and byte-select inputs combined with an end-of-conversion output ensures easy interfacing to a wide variety of microprocessors. Conversions can be performed continuously or on command. In continuous mode, data is read as three consecutive bytes and manipulation of address lines is not required.

Operating from ±5V supplies, the TC850 dissipates only 20mW. It is packaged in 40-pin plastic or ceramic dual-in-line packages (DIPs) and in a 44-pin plastic leaded chip carrier (PLCC), surface-mount package.

# 15-Bit, Fast-Integrating CMOS Analog-To-Digital Converter

## TC850

### ABSOLUTE MAXIMUM RATINGS\*

Positive Supply Voltage ( $V_{DD}$ to GND) .....	+6V
Negative Supply Voltage ( $V_{SS}$ to GND) .....	-9V
Analog Input voltage ( $IN^+$ or $IN^-$ ) .....	$V_{DD}$ to $V_{SS}$
Voltage Reference Input ( $REF_1^+$ , $REF_1^-$ , $REF_2^+$ ) .....	$V_{DD}$ to $V_{SS}$
Logic Input Voltage .....	$V_{DD} + 0.3V$ to $GND - 0.3V$
Current Into Any Pin .....	10mA
While Operating .....	100 $\mu$ A
Ambient Operating Temperature Range	
C Device .....	0°C to +70°C
I Device .....	-25°C to +85°C

Lead Temperature (Soldering, 10 sec) .....	+300°C
Package Power Dissipation ( $T_A \leq 70^\circ C$ )	
CerDIP .....	2.29W
Plastic DIP .....	1.23W
Plastic PLCC .....	1.23W

\*Static-sensitive device. Unused devices must be stored in conductive material. Protect devices from static discharge and static fields. Stresses above those listed under Absolute Maximum Ratings may cause permanent damage to the device. These are stress ratings only and functional operation of the device at these or any other conditions above those indicated in the operational sections of the specifications is not implied. Exposure to Absolute Maximum Rating Conditions for extended periods may affect device reliability.

**ELECTRICAL CHARACTERISTICS:**  $V_S = \pm 5V$ ,  $f_{CLK} = 61.44$  kHz,  $V_{FS} = 3.2768V$ ,  $T_A = 25^\circ C$ , Fig. 1 Test Circuit, unless otherwise specified.

Symbol	Parameter	Test Conditions	Min	Typ	Max	Unit
	Zero-Scale Error	$V_{IN} = 0V$		$\pm 0.25$	$\pm 0.5$	LSB
	End Point Linearity Error	$-V_{FS} \leq V_{IN} \leq +V_{FS}$	—	$\pm 1$	$\pm 2$	LSB
	Differential Nonlinearity		—	$\pm 0.1$	$\pm 0.5$	LSB
$I_{IN}$	Input Leakage Current	$V_{IN} = 0V$ , $T_A = 25^\circ C$ $0^\circ C \leq T_A \leq +70^\circ C$ $-25^\circ \leq T_A \leq +85^\circ C$	—	30	75	$\mu A$
			—	—	—	nA
$V_{CMR}$	Common-Mode Voltage Range	Over Operating Temperature Range	$V_{SS} + 1.5$	—	$V_{DD} - 1.5$	V
CMRR	Common-Mode Rejection Ratio	$V_{IN} = 0V$ , $V_{CM} = \pm 1V$	—	80	—	dB
	Full-Scale Gain Temperature Coefficient	External Ref Temperature Coefficient = 0 ppm/ $^\circ C$ $0^\circ C \leq T_A \leq +70^\circ C$	—	2	5	ppm/ $^\circ C$
	Zero-Scale Error Temperature Coefficient	$V_{IN} = 0V$ $0^\circ C \leq T_A \leq +70^\circ C$	—	0.3	2	$\mu V/^\circ C$
	Full-Scale Magnitude Symmetry Error	$V_{IN} = \pm 3.275V$	—	0.5	2	LSB
$e_N$	Input Noise	Not Exceeded 95% of Time	—	30	—	$\mu V_{P-P}$
$I_{S^+}$	Positive Supply Current		—	2	3.5	mA
$I_{S^-}$	Negative Supply Current		—	2	3.5	mA
$V_{OH}$	Output High Voltage	$I_O = 500 \mu A$	3.5	4.9	—	V
$V_{OL}$	Output Low Voltage	$I_O = 1.6$ mA	—	0.15	0.4	V
$I_{OP}$	Output Leakage Current	Pins 8 – 15, High-Impedance State	—	0.1	1	$\mu A$
$V_{IH}$	Input High Voltage	Note 3	3.5	2.3	—	V
$I_L$	Input Low Voltage	Note 3	—	2.1	1	V
$I_{PU}$	Input Pull-Up Current	Pins 2, 3, 4, 6, 7; $V_{IN} = 0V$	—	4	—	$\mu A$
$I_{PD}$	Input Pull-Down Current	Pins 1, 5; $V_{IN} = 5V$	—	14	—	$\mu A$
$I_{OSC}$	Oscillator Output Current	Pin 18, $V_{OUT} = 2.5V$	—	140	—	$\mu A$
$C_{IN}$	Input Capacitance	Pins 1 – 7, 17	—	1	—	pF
$C_{OUT}$	Output Capacitance	Pins 8 – 15, High-Impedance State	—	15	—	pF
$t_{CE}$	Chip-Enable Access Time	CS or $\overline{CE}$ , $\overline{RD} = LOW$ (Note 1)	—	230	450	nsec
$t_{RE}$	Read-Enable Access Time	CS = HIGH, $\overline{CE} = LOW$ (Note 1)	—	190	450	nsec
$t_{DHC}$	Data Hold From CS or $\overline{CE}$	$\overline{RD} = LOW$ (Note 1)	—	250	450	nsec
$t_{DHR}$	Data Hold From $\overline{RD}$	CS = HIGH, $\overline{CE} = LOW$ (Note 1)	—	210	450	nsec
$t_{OP}$	OVR/POL Data Access Time	CS = HIGH, $\overline{CE} = LOW$ , $\overline{RD} = LOW$ (Note 1)	—	140	300	nsec

# 15-Bit, Fast-Integrating CMOS Analog-To-Digital Converter

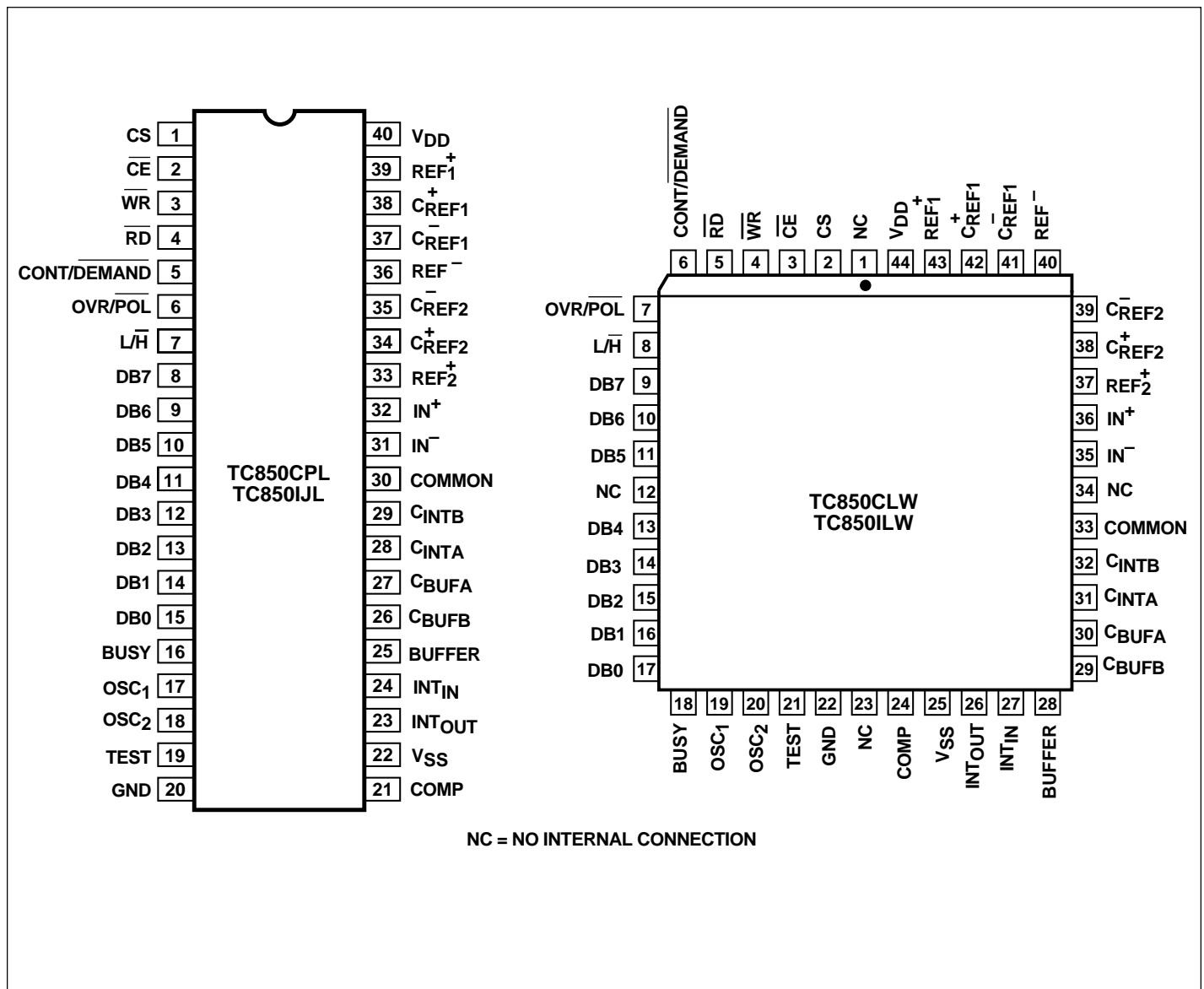
TC850

## ELECTRICAL CHARACTERISTICS (Cont.)

Symbol	Parameter	Test Conditions	Min	Typ	Max	Unit
$t_{LH}$	Low/High Byte Access Time	CS = HIGH, $\overline{CE}$ = LOW, $\overline{RD}$ = LOW (Note 1)	—	140	300	nsec
	Clock Setup Time	Positive or Negative Pulse Width	100	—	—	nsec
$t_{WRE}$	$\overline{RD}$ Minimum Pulse Width	CS = HIGH, $\overline{CE}$ = LOW (Note 2)	450	230	—	nsec
$t_{WRD}$	$\overline{RD}$ Minimum Delay Time	CS = HIGH, $\overline{CE}$ = LOW (Note 2)	150	50	—	nsec
$t_{WWR}$	$\overline{WR}$ Minimum Pulse Width	CS = HIGH, $\overline{CE}$ = LOW, Demand Mode	75	25	—	nsec
	Clock Setup Time	Positive or Negative Pulse Width	100	—	—	nsec

- NOTES:**
1. Demand mode,  $\overline{CONT/DEMAND}$  = LOW. Figure 10 timing diagram.  $C_L$  = 100pF.
  2. Continuous mode,  $\overline{CONT/DEMAND}$  = HIGH. Figure 12 timing diagram.
  3. Digital inputs have CMOS logic levels and internal pull-up/pull-down resistors. For TTL compatibility, external pull-up resistors to  $V_{CC}$  are recommended.

## PIN CONFIGURATIONS



# 15-Bit, Fast-Integrating CMOS Analog-To-Digital Converter

TC850

## PIN DESCRIPTIONS

Pin No. (40-Pin DIP)	Symbol	Description
1	CS	Chip select, active HIGH. Logically ANDed with $\overline{CE}$ to enable read and write inputs. (See note 4.)
2	$\overline{CE}$	Chip enable, active LOW. (See note 5.)
3	$\overline{WR}$	Write input, active LOW. When chip is selected (CS = HIGH and CE = LOW) and in demand mode (CONT/DEMAND = LOW), a logic LOW on $\overline{WR}$ starts a conversion. (See note 4.)
4	$\overline{RD}$	Read input, active LOW. When CS = HIGH and $\overline{CE}$ = LOW, a logic LOW on $\overline{RD}$ enables the 3-state data outputs. (See note 5.)
5	CONT/DEMAND	Conversion control input. When CONT/DEMAND = LOW, conversions are initiated by the $\overline{WR}$ input. When CONT/DEMAND = HIGH, conversions are performed continuously. (See note 4.)
6	OVR/POL	Overrange/polarity data-select input. When making conversions in the demand mode (CONT/DEMAND = LOW), OVR/POL controls the data output on DB7 when the high-order byte is active. (See note 5.)
7	L/H	Low/high byte-select input. When CONT/DEMAND = LOW, this input controls whether low-byte or high-byte data is enabled on DB0 through DB7. (See note 5.)
8	DB7	Most significant data bit output. When reading the A/D conversion result, the polarity, overrange, and DB7 data are output on this pin. (See text.)
9 – 15	DB6–DB0	Data outputs DB6–DB0. 3-state, bus compatible.
16	BUSY	A/D conversion status output. BUSY goes to a logic HIGH at the beginning of the deintegrate phase and goes LOW when conversion is complete. The falling edge of BUSY can be used to generate a $\mu$ P interrupt.
17	OSC <sub>1</sub>	Crystal oscillator connection or external oscillator input.
18	OSC <sub>2</sub>	Crystal oscillator connection.
19	TEST	For factory testing purposes only. Do not make external connection to this pin.
20	DGND	Digital ground connection.
21	COMP	Connection for comparator auto-zero capacitor. Bypass to V <sub>SS</sub> with 0.1 $\mu$ F.
22	V <sub>SS</sub>	Negative power supply connection, typically – 5V.
23	INT <sub>OUT</sub>	Output of the integrator amplifier. Connect to C <sub>INT</sub> .
24	INT <sub>IN</sub>	Input to the integrator amplifier. Connect to summing node of R <sub>INT</sub> and C <sub>INT</sub> .
25	BUFFER	Output of the input buffer. Connect to R <sub>INT</sub> .
26	C <sub>BUFB</sub>	Connection for buffer auto-zero capacitor. Bypass to V <sub>SS</sub> with 0.1 $\mu$ F.
27	C <sub>BUFA</sub>	Connection to buffer auto-zero capacitor. Bypass to V <sub>SS</sub> with 0.1 $\mu$ F.
28	C <sub>INTA</sub>	Connection for integrator auto-zero capacitor. Bypass to V <sub>SS</sub> with 0.1 $\mu$ F.
29	C <sub>INTB</sub>	Connection for integrator auto-zero capacitor. Bypass to V <sub>SS</sub> with 0.1 $\mu$ F.
30	COMMON	Analog common.
31	IN <sup>-</sup>	Negative differential analog input.
30	COMMON	Analog common.
33	REF <sub>2</sub> <sup>+</sup>	Positive input for reference voltage V <sub>REF2</sub> . (V <sub>REF2</sub> = V <sub>REF1</sub> /64)
34	C <sub>REF2</sub> <sup>+</sup>	Positive connection for V <sub>REF2</sub> reference capacitor.
35	C <sub>REF2</sub> <sup>-</sup>	Negative connection for V <sub>REF2</sub> reference capacitor.
36	REF <sup>-</sup>	Negative input for reference voltages.
37	C <sub>REF1</sub> <sup>-</sup>	Negative connection for V <sub>REF1</sub> reference capacitor.
38	C <sub>REF1</sub> <sup>+</sup>	Positive connection for V <sub>REF1</sub> reference capacitor.
39	REF <sub>1</sub> <sup>+</sup>	Positive input for V <sub>REF1</sub> .
40	V <sub>DD</sub>	Positive power supply connection, typically +5V.

**NOTES:** 4. This pin incorporates a pull-down resistor to DGND.

5. This pin incorporates a pull-up resistor to V<sub>DD</sub>.

# 15-Bit, Fast-Integrating CMOS Analog-To-Digital Converter

TC850

## THEORY OF OPERATION

The TC850 is a multiple-slope, integrating analog-to-digital converter (ADC). The multiple-slope conversion process, combined with chopper-stabilized amplifiers, results in a significant increase in ADC speed, while maintaining very high resolution and accuracy.

### Dual-Slope Conversion Principles

The conventional dual-slope converter measurement cycle (shown in Figure 2A) has two distinct phases:

- (1) Input signal integration
- (2) Reference voltage integration (deintegration)

The input signal being converted is integrated for a fixed time period, measured by counting clock pulses. An opposite polarity constant reference voltage is then integrated until the integrator output voltage returns to zero. The reference integration time is directly proportional to the input signal.

In a simple dual-slope converter, complete conversion requires the integrator output to "ramp-up" and "ramp-down." Most dual-slope converters add a third phase, auto-zero. During auto-zero, offset voltages of the input buffer, integrator, and comparator are nulled, thereby eliminating the need for zero-offset adjustments.

Dual-slope converter accuracy is unrelated to the integrating resistor and capacitor values, as long as they are stable during a measurement cycle. By converting the unknown analog input voltage into an easily-measured function of time, the dual-slope converter reduces the need for expensive, precision passive components.

Noise immunity is an inherent benefit of the integrating conversion method. Noise spikes are integrated, or averaged, to zero during the integration period. Integrating ADCs are immune to the large conversion errors that plague successive approximation converters in high-noise environments.

A simple mathematical equation relates the input signal, reference voltage, and integration time:

$$\frac{1}{RC} \int_0^{t_{SI}} V_{IN}(t) dt = \frac{V_R t_{RI}}{RC}$$

where:  $V_R$  = Reference voltage  
 $t_{SI}$  = Signal integration time (fixed)  
 $t_{RI}$  = Reference voltage integration time (variable).

## Multiple-Slope Conversion Principles

One limitation of the dual-slope measurement technique is conversion speed. In a typical dual-slope method, the auto-zero and integrate times are each one-half of the deintegrate time. For a 15-bit conversion,  $2^{14} + 2^{14} + 2^{15}$  (65,536) clock pulses are required for auto-zero, integrate, and deintegrate phases, respectively. The large number of clock cycles effectively limits the conversion rate to about 2.5 conversions per second, when a typical analog CMOS fabrication process is used.

The TC850 uses a multiple-slope conversion technique to increase conversion speed (Figure 2B). This technique makes use of a two-slope deintegration phase and permits 15-bit resolution up to 40 conversions per second.

During the TC850's deintegration phase, the integration capacitor is rapidly discharged to yield a resolution of 9 bits. At this point, some charge will remain on the capacitor. This remaining charge is then slowly deintegrated, producing an

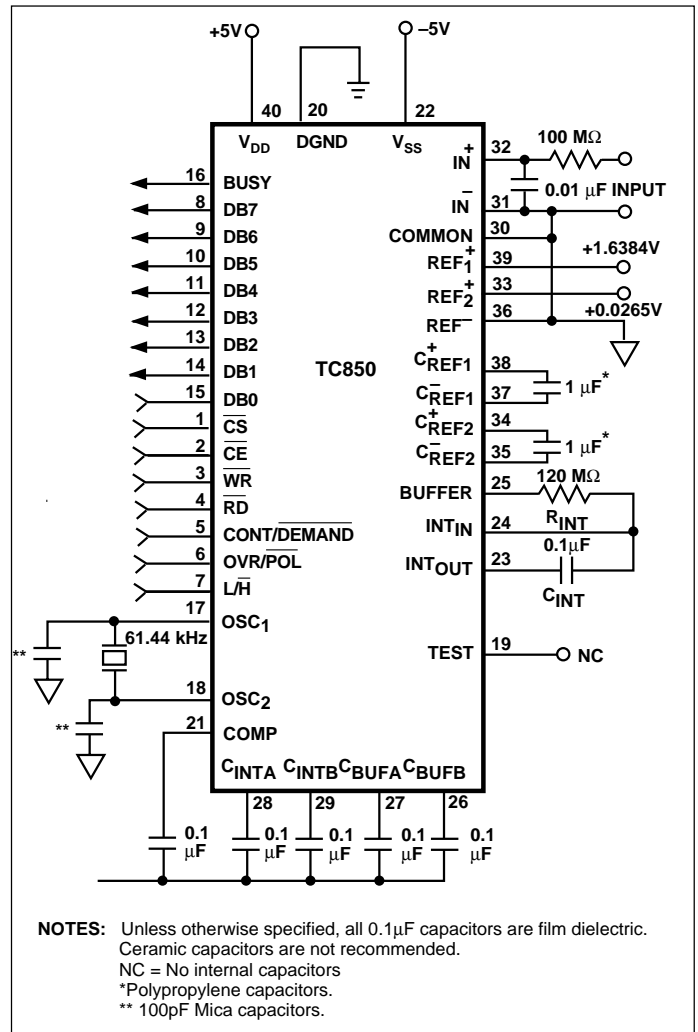


Figure 1. Standard Circuit Configuration

# 15-Bit, Fast-Integrating CMOS Analog-To-Digital Converter

TC850

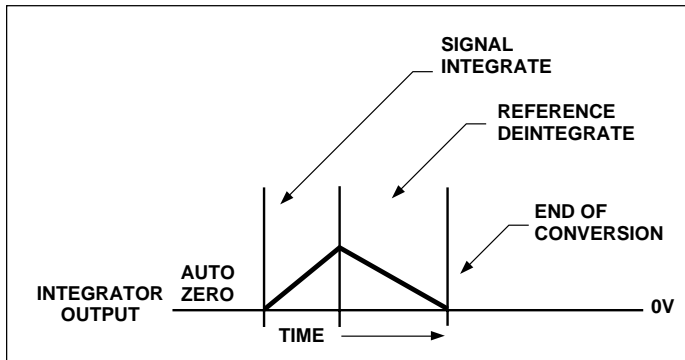


Figure 2A. Dual-Slope ADC Cycle

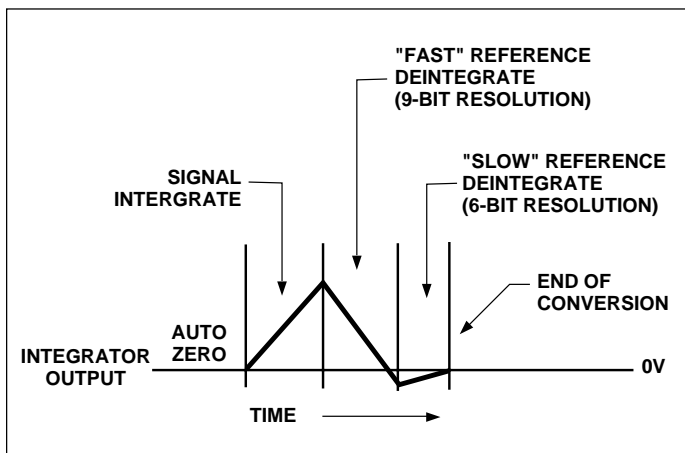


Figure 2B. "Fast-Slow" Reference Deintegrate Cycle

additional 6 bits of resolution. The result is 15 bits of resolution achieved with only  $2^9 + 2^6$  (512 + 64, or 576) clock pulses for deintegration. A complete conversion cycle occupies only 1280 clock pulses.

In order to generate "fast-slow" integration phases, two voltage references are required. The primary reference ( $V_{REF1}$ ) is set to one-half of the full-scale voltage (typically  $V_{REF1} = 1.6384V$ , and  $V_{FS} = 3.2768V$ ). The secondary voltage reference ( $V_{REF2}$ ) is set to  $V_{REF1}/64$  (typically 25.6 mV). To maintain 15-bit linearity, a tolerance of 0.5% for  $V_{REF2}$  is recommended.

## ANALOG SECTION DESCRIPTION

The TC850 analog section consists of an input buffer amplifier, integrator amplifier, comparator, and analog switches. A simplified block diagram is shown in Figure 3.

## Conversion Timing

Each conversion consists of three phases: (1) Zero Integrator, (2) Signal Integrate, and (3) Reference Integrate (or Deintegrate). Each conversion cycle requires 1280 internal clock cycles (Figure 4).

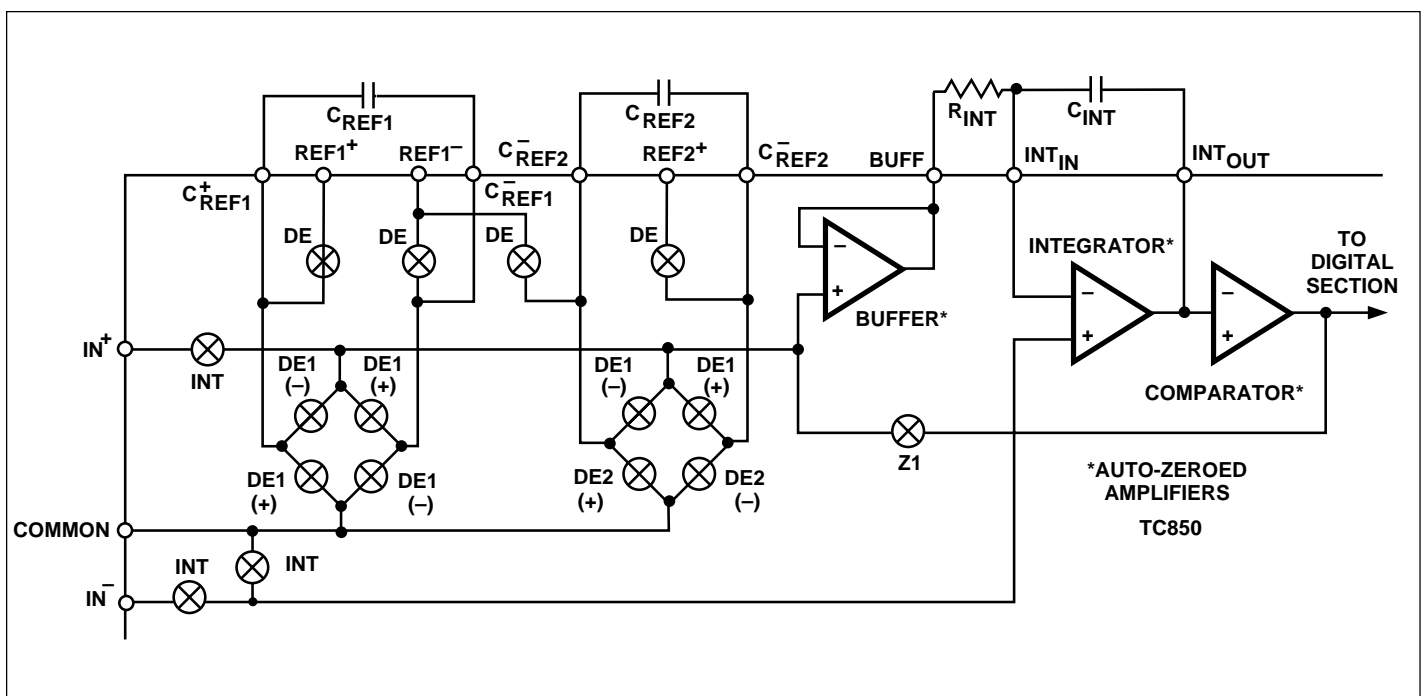


Figure 3. Analog Section Simplified Schematic

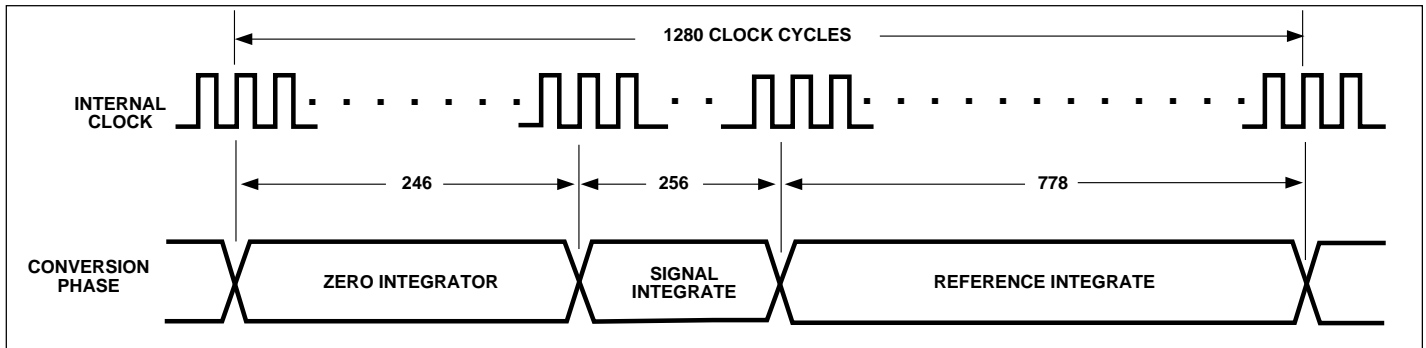


Figure 4. Conversion Timing

## Zero-Integrator Phase

During the zero-integrator phase, the differential input signal is disconnected from the circuit by opening internal analog gates. The internal nodes are shorted to analog common (ground) to establish a zero-input condition. At the same time, a feedback loop is closed around the input buffer, integrator, and comparator. The feedback loop ensures the integrator output is near 0V before the signal-integrate phase begins.

During this phase, a chopper-stabilization technique is used to cancel offset errors in the input buffer, integrator, and comparator. Error voltages are stored on the  $C_{BUFF}$ ,  $C_{INT}$ , and COMP capacitors. The zero-integrate phase requires 246 clock cycles.

## Signal-Integrate Phase

The zero-integrator loop is opened and the internal differential inputs are connected to  $IN^+$  and  $IN^-$ . The differential input signal is integrated for a fixed time period. The TC850 signal-integrate period is 256 clock periods, or counts. The crystal oscillator frequency is  $\div 4$  before clocking the internal counters.

The integration time period is:

$$t_{SI} = \frac{4}{f_{OSC}} \times 256$$

## Reference-Integrate Phase

During reference-integrate phase, the charge stored on the integrator capacitor is discharged. The time required to discharge the capacitor is proportional to the analog input voltage.

The reference integrate phase is divided into three subphases: (1) fast, (2) slow, and (3) overrange deintegrate.

During fast deintegrate,  $V_{IN^-}$  is internally connected to analog common and  $V_{IN^+}$  is connected across the previously-charged reference capacitor ( $C_{REF1}$ ). The integrator capacitor is rapidly discharged for a maximum of 512 internal clock pulses, yielding 9 bits of resolution.

During the slow deintegrate phase, the internal  $V_{IN^+}$  node is now connected to the  $C_{REF2}$  capacitor, and the residual charge on the integrator capacitor is further discharged a maximum of 64 clock pulses. At this point, the analog input voltage has been converted with 15 bits of resolution.

If the analog input is greater than full scale, the TC850 performs up to three overrange deintegrate subphases. Each subphase occupies a maximum of 64 clock pulses. The overrange feature permits analog inputs up to 192 LSBs greater than full scale to be correctly converted. This feature permits the user to digitally null up to 192 counts of input offset, while retaining full 15-bit resolution.

In addition to 512 counts of fast, 64 counts of slow, and 192 counts of overrange deintegrate, the reference-integrate phase uses 10 clock pulses to permit internal nodes to settle. Therefore, the reference integrate cycle occupies 778 clock pulses.

## Pin Description (Analog)

### Differential Inputs ( $IN^+$ and $IN^-$ )

The analog signal to be measured is applied at the  $IN^+$  and  $IN^-$  inputs. The differential input voltage must be within the common-mode range of the converter. The input common-mode range extends from  $V_{DD} - 1.5V$  to  $V_{SS} + 1.5V$ . Within this common-mode voltage range, an 86 dB CMRR is typical.

The integrator output also follows the common-mode voltage. The integrator output must not be allowed to saturate. A worst-case condition exists, for example, when a large, positive common-mode voltage with a near full-scale negative differential input voltage is applied. The negative input signal drives the integrator positive when most of its available swing has been used up by the positive common-mode voltage. For applications where maximum common-mode range is critical, integrator swing can be reduced. The integrator output can swing within 0.4V of either supply without loss of linearity.

## TC850

### Differential Reference ( $V_{REF}$ )

The TC850 requires two reference voltage sources in order to generate the "fast-slow" deintegrate phases. The main voltage reference ( $V_{REF1}$ ) is applied between the  $REF_1^+$  and  $REF^-$  pins. The secondary reference ( $V_{REF2}$ ) is applied between the  $REF_2^+$  and  $REF^-$  pins.

The reference voltage inputs are fully differential, and the reference voltage can be generated anywhere within the power supply voltage of the converter. However, to minimize roll-over error, especially at high conversion rates, keep the reference common-mode voltage (i.e.,  $REF^-$ ) near or at the analog common potential. All voltage reference inputs are high impedance. Average reference input current is typically only 30pA.

### Analog Common (COMMON)

Analog common is used as the  $IN^-$  return during the zero-integrator and deintegrate phases of each conversion. If  $IN^-$  is at a different potential than analog common, a common-mode voltage exists in the system. This signal is rejected by the 86 dB CMRR of the converter. However, in most applications,  $IN^-$  will be set at a fixed, known voltage (power supply common, for instance). In this case, analog common should be tied to the same point so that the common-mode voltage is eliminated.

## DIGITAL SECTION DESCRIPTION

The TC850 digital section consists of two sets of conversion counters, control and sequencing logic, clock oscillator and divider, data latches, and an 8-bit, 3-state interface bus. A simplified schematic of the bus interface logic is shown in Figure 5.

### Clock Oscillator

The TC850 includes a crystal oscillator on-chip. All that is required is to connect a crystal across  $OSC_1$  and  $OSC_2$  pins, and to add two inexpensive capacitors (Figure 1). The oscillator output is  $\div 4$  prior to clocking the A/D internal counters. For example, a 100kHz crystal produces a system clock frequency of 25kHz. Since each conversion requires 1280 clock periods, in this case the conversion rate will be  $25,000/1280$ , or 19.5 conversions per second.

In most applications, however, an external clock is divided down from the microprocessor clock. In this case, the  $OSC_1$  pin is used as the external oscillator input and  $OSC_2$  is left unconnected. The external clock driver should swing from digital ground to  $V_{DD}$ . The  $\div 4$  function is active for both external clock and crystal oscillator operations.

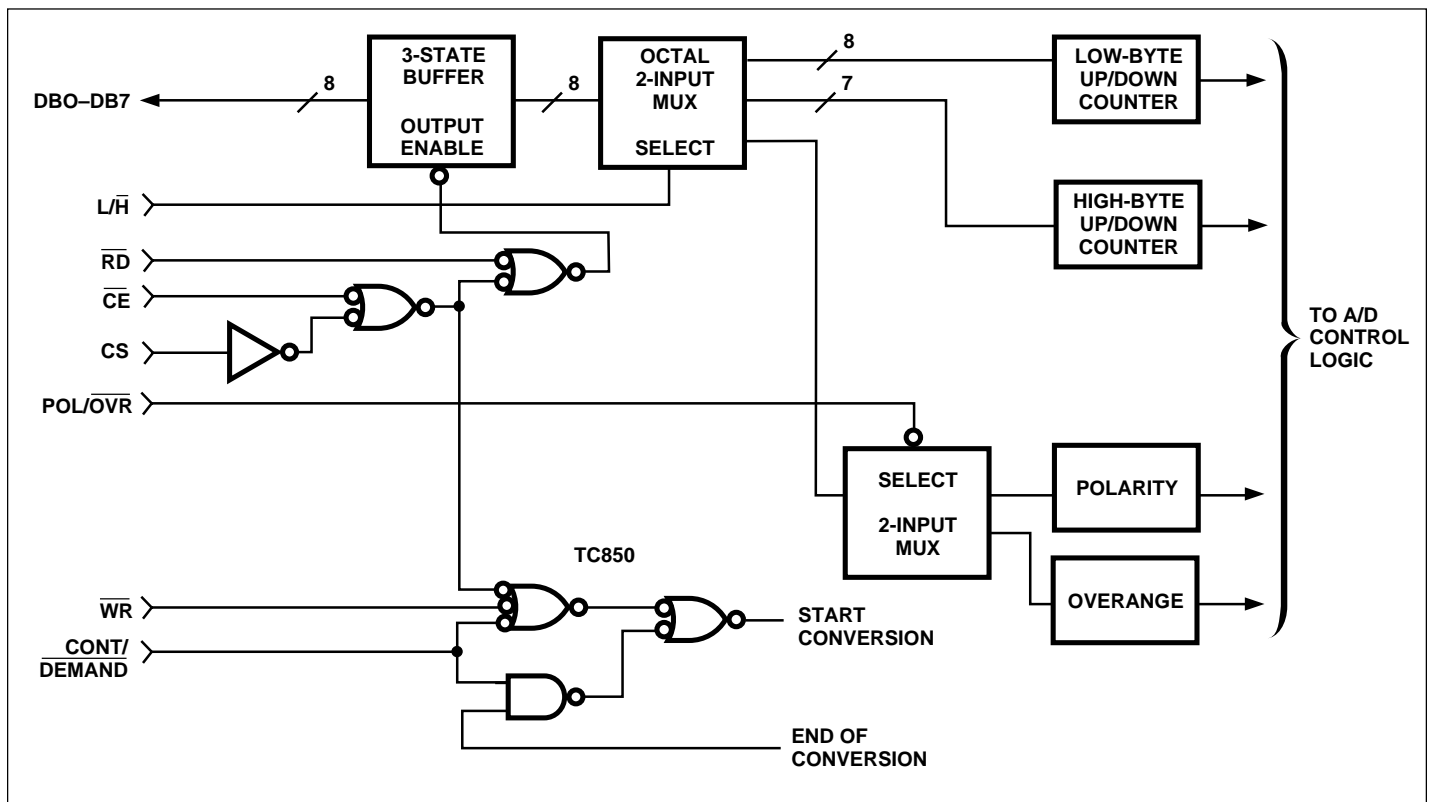


Figure 5. Bus Interface Simplified Schematic



# 15-Bit, Fast-Integrating CMOS Analog-To-Digital Converter

TC850

## Digital Operating Modes

Two modes of operation are available with the TC850, continuous conversions and on-demand. The operating mode is controlled by the  $\overline{\text{CONT/DEMAND}}$  input. The bus interface method is different for continuous and demand modes of operation.

### Demand Mode Operation

When  $\overline{\text{CONT/DEMAND}}$  is low, the TC850 performs one conversion each time the chip is selected and the  $\overline{\text{WR}}$  input is pulsed low. Data is valid on the falling edge of the  $\overline{\text{BUSY}}$  output and can be accessed using the interface truth table (Table 1).

### Continuous Mode Operation

When  $\overline{\text{CONT/DEMAND}}$  is high, the TC850 continuously performs conversions. Data will be valid on the falling edge of the  $\overline{\text{BUSY}}$  output, and remains valid for 443-1/2 clock cycles.

The low/high (L/H) byte-select and overrange/polarity ( $\overline{\text{OVR/POL}}$ ) inputs are disabled during continuous mode operation. Data must be read in three consecutive bytes, as shown in Table 1.

**NOTE:** In continuous mode, the conversion result must be read within 443-1/2 clock cycles of the  $\overline{\text{BUSY}}$  output falling edge. After this time (i.e., 1/2 clock cycle before  $\overline{\text{BUSY}}$  goes high) the internal counters are reset and the data is lost.

Table 1. Bus Interface Truth Table

$\overline{\text{CE}} \cdot \overline{\text{CS}}$	$\overline{\text{RD}}$	$\overline{\text{CONT/DEMAND}}$	L/H	$\overline{\text{OVR/POL}}$	DB7	DB6–DB0
Pins 1 and 2	Pin 4	Pin 5	Pin 7	Pin 6	Pin 8	Pin 9–Pin 15 (Note 1)
0	0	0	0	0	"1" = Input Positive	Data Bits 14 – 8
0	0	0	0	1	"1" = Input Overrange (Note 2)	Data Bits 14 – 8
0	0	0	1	X	Data Bit 7	Data Bits 6 – 0
0	0	1	X	X	Note 3	
0	1	X	X	X	High-Impedance State	
1	X	X	X	X	High-Impedance State	

- NOTES:**
- Pin numbers refer to 40-pin DIP.
  - Extended overrange operation: Although rated at 15 bits ( $\pm 32,767$  counts) of resolution, the TC850 provides an additional 191 counts above full scale. For example, with a full-scale input of 3.2768V, the maximum analog input voltage which will be properly converted is 3.2958V. The extended resolution is signified by the overrange bit being high and the low-order byte contents being between 0 and 190. For example, with a full-scale voltage of 3.2768V:

$V_{\text{IN}}$	Overrange Bit	Low Byte	Data Bits 14–8
3.2767V	Low	255 <sub>10</sub>	127 <sub>10</sub>
3.2768V	High	000 <sub>10</sub>	0 <sub>10</sub>
3.2769V	High	001 <sub>10</sub>	0 <sub>10</sub>
3.2867V	High	099 <sub>10</sub>	0 <sub>10</sub>

- Continuous mode data transfer:
  - In continuous mode, data MUST be read in three sequential bytes after the  $\overline{\text{BUSY}}$  output goes low:
    - The first byte read will be the high-order byte, with DB7 = polarity.
    - The second byte read will contain the low-order byte.
    - The third byte read will again be the high-order byte, but with DB7 = overrange.
  - All three data bytes must be read within 443-1/2 clock cycles after the falling edge of  $\overline{\text{BUSY}}$ .
  - The  $\overline{\text{RD}}$  input must go high after each byte is read, so that the internal byte counter will be incremented. However, the  $\overline{\text{CE}}$  and  $\overline{\text{CS}}$  inputs can remain enabled through the entire data transfer sequence.

## TC850

### Pin Description (Digital)

#### Chip Select and Chip Enable (CS and $\overline{CE}$ )

The CS and  $\overline{CE}$  inputs permit easy interfacing to a variety of digital bus systems.  $\overline{CE}$  is active LOW while CS is active HIGH. These inputs are logically ANDed internally and are used to enable the  $\overline{RD}$  and  $\overline{WR}$  inputs.

#### Write Enable Input ( $\overline{WR}$ )

The write input is used to initiate a conversion when the TC850 is in demand mode. CS and  $\overline{CE}$  must be active for the  $\overline{WR}$  input to be recognized. The status of the data bus is meaningless during the  $\overline{WR}$  pulse, because no data is actually written into the TC850.

#### Read Enable Input ( $\overline{RD}$ )

The read input, combined with CS and  $\overline{CE}$ , enables the 3-state data bus outputs. Also, in continuous mode, the rising edge of the  $\overline{RD}$  input activates an internal byte counter to sequentially read the three data bytes.

#### Low/High Byte Select ( $\overline{L/H}$ )

The L/H input determines whether the low (least significant) byte or high (most significant) byte of data is placed on the 3-state data bus. This input is meaningful only when the TC850 is in the demand mode. In the continuous mode, data must be read in three predetermined bytes, so the L/H input is ignored.

#### Overrange/Polarity Bit Select ( $\overline{OVR/POL}$ )

The TC850 provides 15 bits of resolution, plus polarity and overrange bits. Thus, 17 bits of information must be transferred on an 8-bit data bus. To accomplish this, the overrange and polarity bits are multiplexed onto data bit DB7 of the most significant byte. When  $\overline{OVR/POL}$  is HIGH, DB7 of the high byte contains the overrange status (HIGH = analog input overrange, LOW = input within full scale). When  $\overline{OVR/POL}$  is LOW, DB7 is HIGH for positive analog input polarity and LOW for negative polarity. The  $\overline{OVR/POL}$  input is meaningful only when CS,  $\overline{CE}$ , and  $\overline{RD}$  are active, and  $\overline{L/H}$  is LOW (i.e., the most significant byte is selected).  $\overline{OVR/POL}$  is ignored when the TC850 is in continuous mode.

#### Continuous/Demand Mode Input ( $\overline{CONT/DEMAND}$ )

This input controls the TC850 operating mode. When  $\overline{CONT/DEMAND}$  is HIGH, the TC850 performs conversions continuously. In continuous mode, data must be read in the prescribed sequence shown in Table I. Also, all three data bytes must be read within 443-1/2 internal clock cycles after the BUSY output goes low. After 443-1/2 clock cycles data will be lost.

When  $\overline{CONT/DEMAND}$  is LOW, the TC850 begins a conversion each time CS and  $\overline{CE}$  are active and  $\overline{WR}$  is

pulsed LOW. The conversion is complete and data can be read after the falling edge of the BUSY output. In demand mode, data can be read in any sequence, and remains valid until  $\overline{WR}$  is again pulsed LOW.

#### Busy Output (BUSY)

The BUSY output is used to convey an end-of-conversion to external logic. BUSY goes HIGH at the beginning of the deintegrate phase and goes LOW at the end of the conversion cycle. Data is valid on the falling edge of BUSY. The output-high period is fixed at 836 clock periods, regardless of the analog input value. BUSY is active during continuous and demand mode operation.

This output can also be used to generate an end-of-conversion interrupt in  $\mu$ P-based systems. Noninterrupt-driven systems can poll BUSY to determine when data is valid.

## ANALOG SECTION APPLICATIONS

### Component Selection

#### Reference Voltage

The typical value for reference voltage  $V_{REF1}$  is 1.6384V. This value yields a full-scale voltage of 3.2768V and resolution of 100 $\mu$ V per step. The  $V_{REF2}$  value is derived by dividing  $V_{REF1}$  by 64. Thus, typical  $V_{REF2}$  value is 1.6384V/64, or 25.6mV. The  $V_{REF2}$  value should be adjusted within  $\pm 1\%$  to maintain 15-bit accuracy for the total conversion process; i.e.,

$$V_{REF2} = \frac{V_{REF1}}{64} \pm 1\%.$$

The reference voltage is not limited to exactly 1.6384V, however, because the TC850 performs a ratiometric conversion. Therefore, the conversion result will be:

$$\text{Digital counts} = \frac{V_{IN}}{V_{REF1}} \cdot 16384.$$

The full-scale voltage can range from 3.2V to 3.5V. Full-scale voltages of less than 3.2V will result in increased noise in the least significant bits, while a full-scale above 3.5V will exceed the input common-mode range.

#### Integration Resistor

The TC850 buffer supplies 25 $\mu$ A of integrator charging current with minimal linearity error.  $R_{INT}$  is easily calculated:

$$R_{INT} = \frac{V_{FULL\ SCALE}}{25\ \mu A}.$$

For a full-scale voltage of 3.2768V, values of  $R_{INT}$  between 120k $\Omega$  and 150k $\Omega$  are acceptable.

# 15-Bit, Fast-Integrating CMOS Analog-To-Digital Converter

TC850

## Integration Capacitor

The integration capacitor should be selected to produce an integrator swing of  $\approx 4V$  at full scale. The capacitor value is easily calculated:

$$C = \frac{V_{FS}}{R_{INT}} \cdot \frac{4 \cdot 256}{4V \cdot f_{CLOCK}}$$

where  $f_{CLOCK}$  is the crystal or external oscillator frequency and  $V_{FS}$  is the maximum input voltage.

The integration capacitor should be selected for low dielectric absorption to prevent roll-over errors. A polypropylene, polyester or polycarbonate dielectric capacitor is recommended.

## Reference Capacitors

The reference capacitors require a low leakage dielectric, such as polypropylene, polyester or polycarbonate. A value of  $1\mu F$  is recommended for operation over the temperature range. If high-temperature operation is not required, the  $C_{REF}$  values can be reduced.

## Auto-Zero Capacitors

Five capacitors are required to auto-zero the input buffer, integrator amplifier, and comparator. Recommended capacitors are  $0.1\mu F$  film dielectric (such as polyester or polypropylene). Ceramic capacitors are not recommended.

## DIGITAL SECTION APPLICATION

### Oscillator

The TC850 may operate with a crystal oscillator. The crystal selected should be designed for a Pierce oscillator, such as an AT-cut quartz crystal. The crystal oscillator schematic is shown in Figure 6.

Since low frequency crystals are very large and ceramic resonators are too lossy, the TC850 clock should be derived from an external source, such as a microprocessor clock. The clock should be input on the  $OSC_1$  pin and no connection should be made to the  $OSC_2$  pin. The external clock should swing between DGND and  $V_{DD}$ .

Since oscillator frequency is  $\div 4$  internally and each conversion requires 1280 internal clock cycles, the conversion time will be:

$$\text{Conversion time} = f_{CLOCK} \times 4 \times 1280.$$

An important advantage of the integrating ADC is the ability to reject periodic noise. This feature is most often used to reject line frequency (50Hz or 60Hz) noise. Noise rejection is accomplished by selecting the integration period equal to one or more line frequency cycles. The desired clock frequency is selected as follows:

$$f_{CLOCK} = f_{NOISE} \times 4 \times 256,$$

where  $f_{NOISE}$  is the noise frequency to be rejected, 4 represents the clock divider, and 256 is the number of integrate cycles.

For example, 60Hz noise will be rejected with a clock frequency of 61.44kHz, giving a conversion rate of 12 conversions/sec. Integer submultiples of 61.44kHz (such as 30.72kHz, etc.) will also reject 60Hz noise. For 50Hz noise rejection, a 51.2kHz frequency is recommended.

If noise rejection is not important, other clock frequencies can be used. The TC850 will typically operate at conversion rates ranging from 3 to 40 conversions/sec, corresponding to oscillator frequencies from 15.36kHz to 204.8kHz.

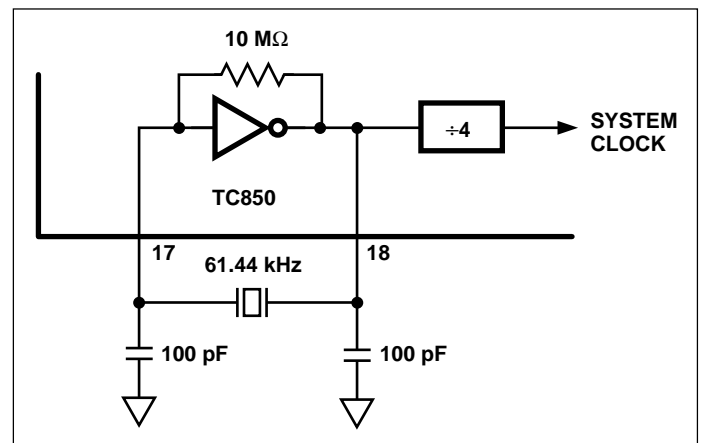


Figure 6. Crystal Oscillator Schematic

### Data Bus Interfacing

The TC850 provides an easy and flexible digital interface. A 3-state data bus and six control inputs permit the TC850 to be treated as a memory device, in most applications. The conversion result can be accessed over an 8-bit bus or via a  $\mu P$  I/O port.

A typical  $\mu P$  bus interface for the TC850 is shown in Figure 7. In this example, the TC850 operates in the demand mode, and conversion begins when a write operation is performed to any decoded address space. The BUSY output interrupts the  $\mu P$  at the end-of-conversion.

The A/D conversion result is read as three memory bytes. The two LSBs of the address bus select high/low byte and overrange/polarity bit data, while high-order address lines enable the  $\overline{CE}$  input.

Figure 8 shows a typical interface to a  $\mu P$  I/O port or single-chip  $\mu C$ . The TC850 operates in the continuous mode, and can either interrupt the  $\mu C/\mu P$  or be polled with an input pin.

# 15-Bit, Fast-Integrating CMOS Analog-To-Digital Converter

## TC850

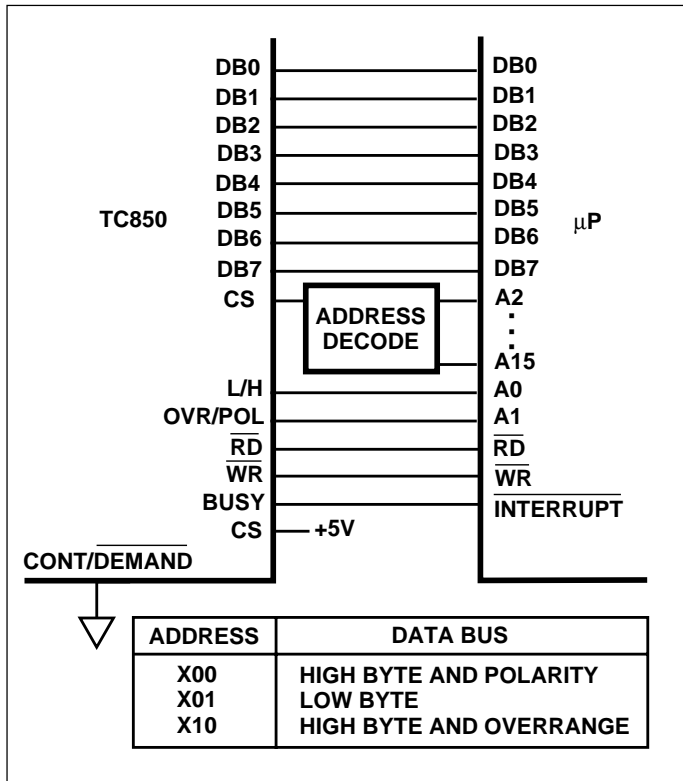


Figure 7. Interface to Typical  $\mu$ P Data Bus

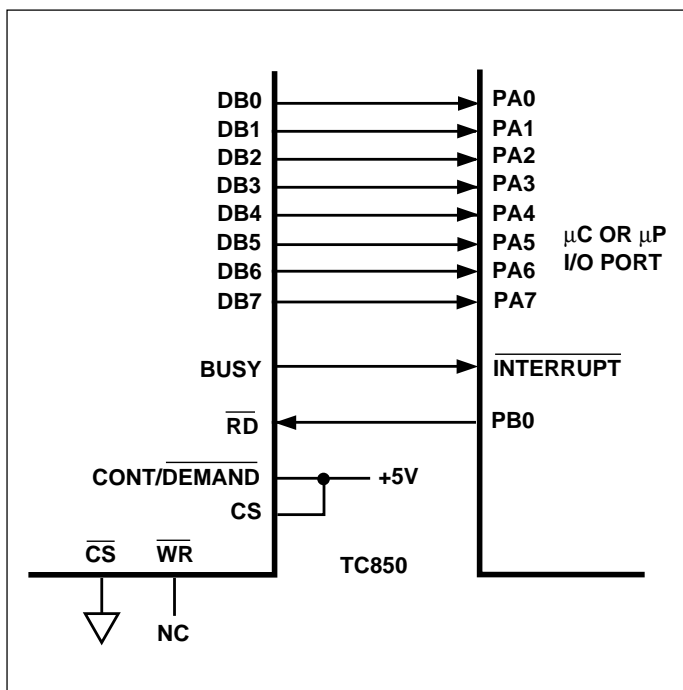


Figure 8. Interface to Typical  $\mu$ P I/O Port or Single-Chip  $\mu$ C

Since the PA0–PA7 inputs are dedicated to reading A/D data, the A/D CS/CE inputs can be enabled continuously. In continuous mode, data must be read in 3 bytes, as shown in Table I. The required RD pulses are provided by a  $\mu$ C/ $\mu$ P output pin.

The circuit of Figure 8 can also operate in the demand mode, with the start-up conversion strobe generated by a  $\mu$ C/ $\mu$ P output pin. In this case, the L/H and CONT/DEMAND inputs can be controlled by I/O pins and the RD input connected to digital ground.

### Demand Mode Interface Timing

When CONT/DEMAND input is LOW, the TC850 performs a conversion each time CE and CS are active and WR is strobed LOW.

The demand mode conversion timing is shown in Figure 9. BUSY goes LOW and data is valid 1155 clock pulses after WR goes LOW. After BUSY goes low, 125 additional clock cycles are required before the next conversion cycle will begin.

Once conversion is started, WR is ignored for 1100 internal clock cycles. After 1100 clock cycles, another WR pulse is recognized and initiates a new conversion when the present conversion is complete. A negative edge on WR is required to begin conversion. If WR is held LOW, conversions will not occur continuously.

The A/D conversion data is valid on the falling edge of BUSY, and remains valid until one-half internal clock cycle before BUSY goes HIGH on the succeeding conversion. BUSY can be monitored with an I/O pin to determine end of conversion, or to generate a  $\mu$ P interrupt.

In demand mode, the three data bytes can be read in any desired order. The TC850 is simply regarded as three bytes of memory and accessed accordingly. The bus output timing is shown in Figure 10.

### Continuous Mode Interface Timing

When the CONT/DEMAND input is HIGH, the TC850 performs conversions continuously. Data will be valid on the falling edge of BUSY, and all three bytes must be read within 443-1/2 internal clock cycles of BUSY going LOW. The timing diagram is shown in Figure 11.

In continuous mode, OVR/POL and L/H byte-select inputs are ignored. The TC850 automatically cycles through three data bytes, as shown in Table I. Bus output timing in the continuous mode is shown in Figure 12.

# 15-Bit, Fast-Integrating CMOS Analog-To-Digital Converter

TC850

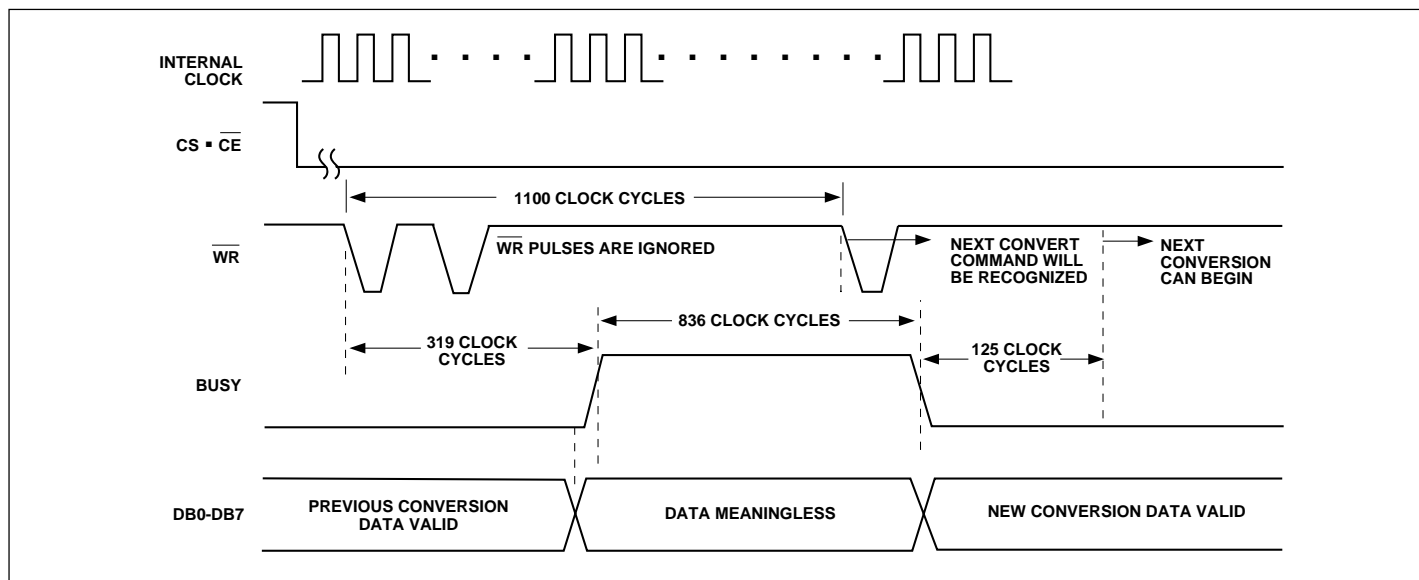


Figure 9. Conversion Timing, Demand Mode

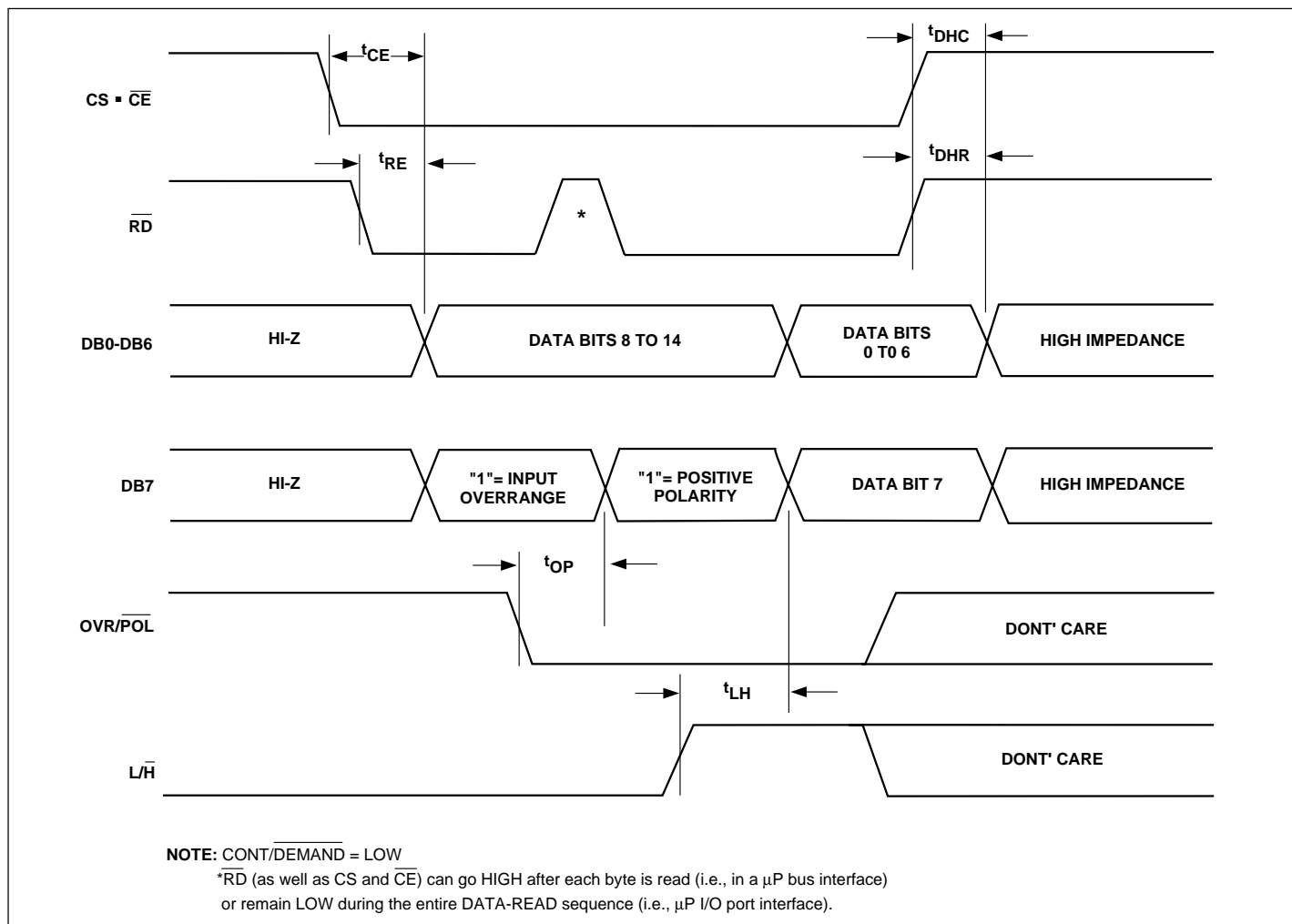


Figure 10. Bus Output Timing, Demand Mode

# 15-Bit, Fast-Integrating CMOS Analog-To-Digital Converter

## TC850

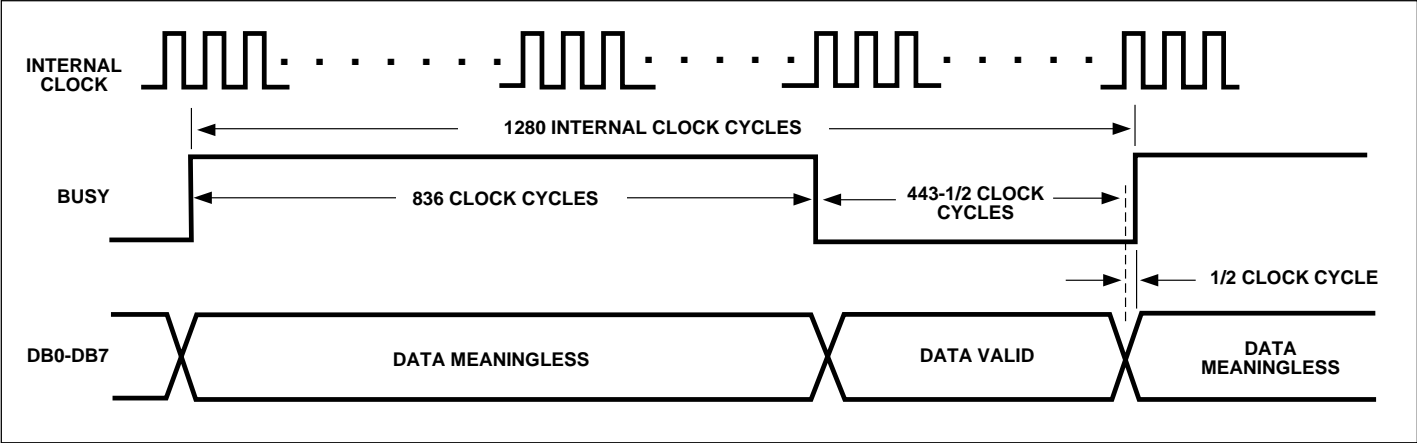


Figure 11. Conversion Timing, Continuous Mode

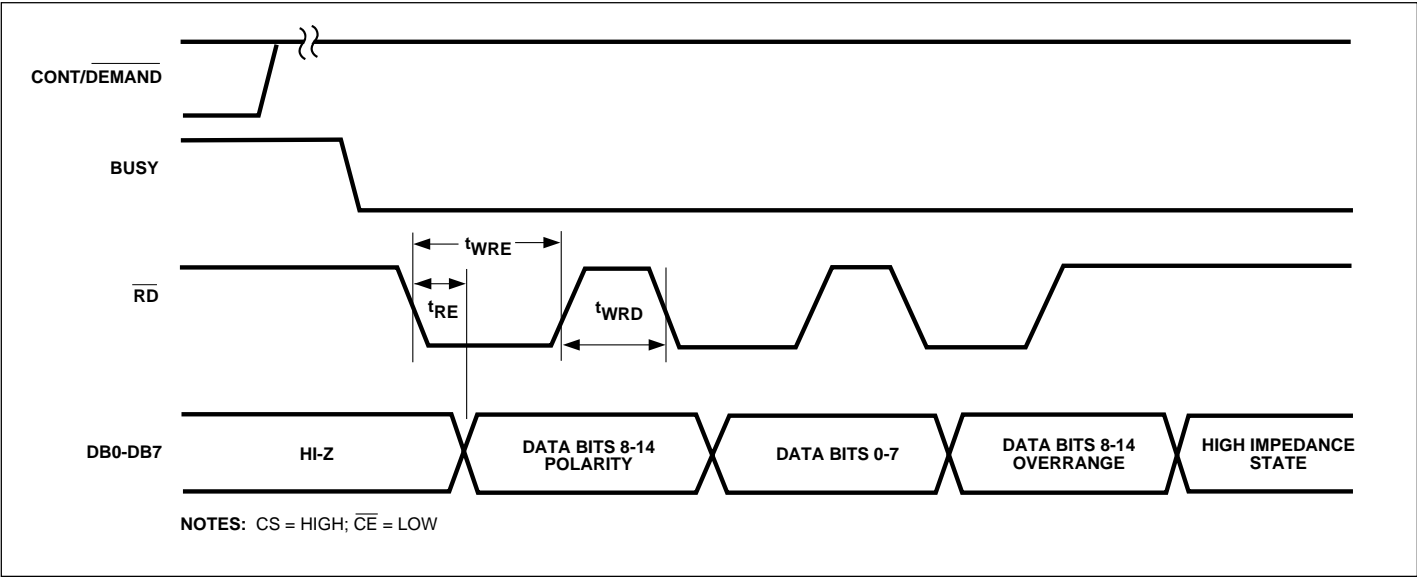


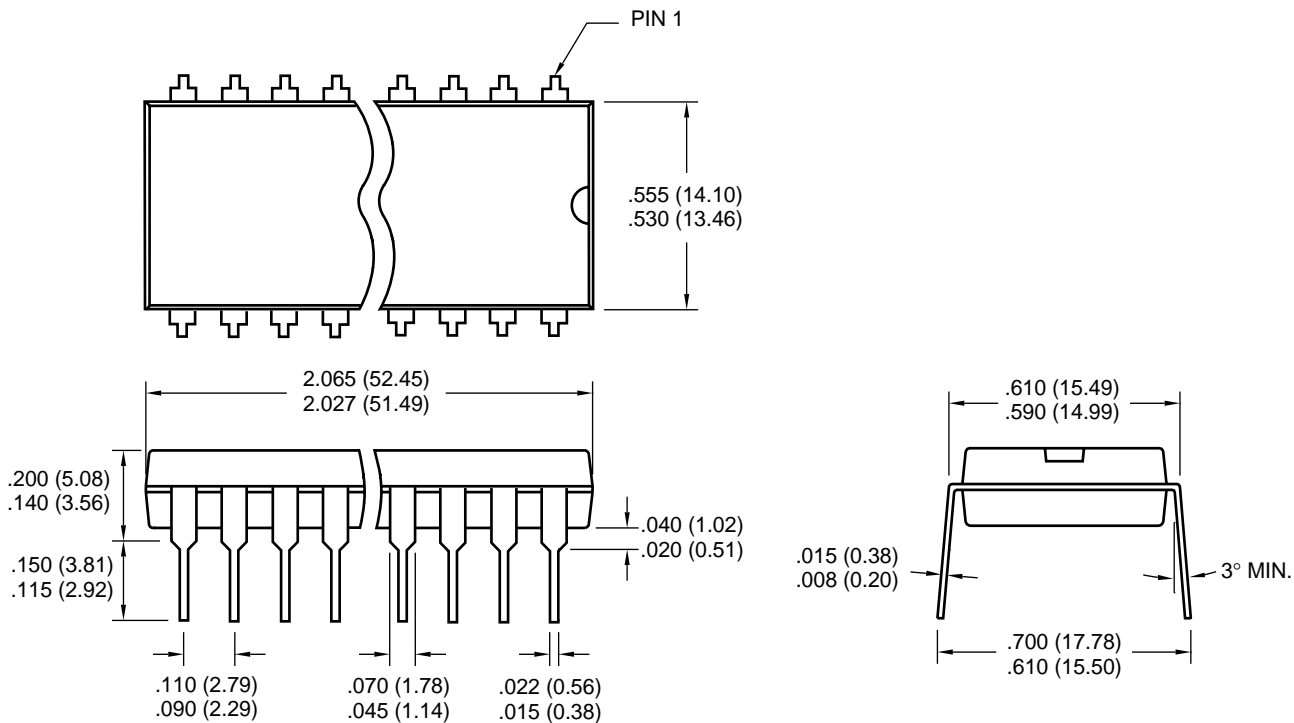
Figure 12. Bus Output Timing, Continuous Mode

# 15-Bit, Fast-Integrating CMOS Analog-To-Digital Converter

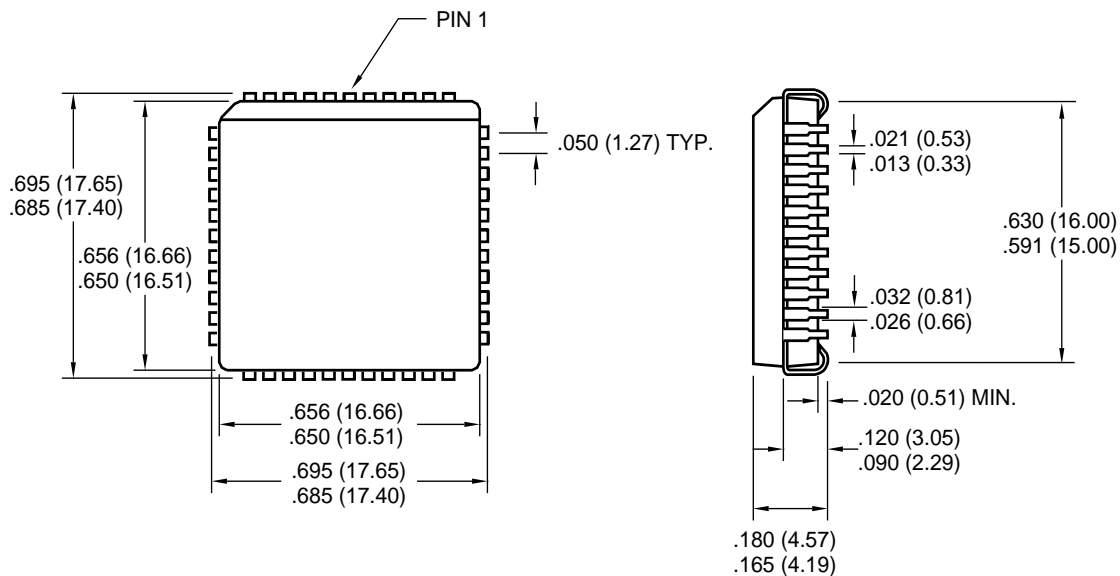
TC850

## PACKAGE DIMENSIONS

### 40-Pin Plastic DIP



### 44-Pin PLCC

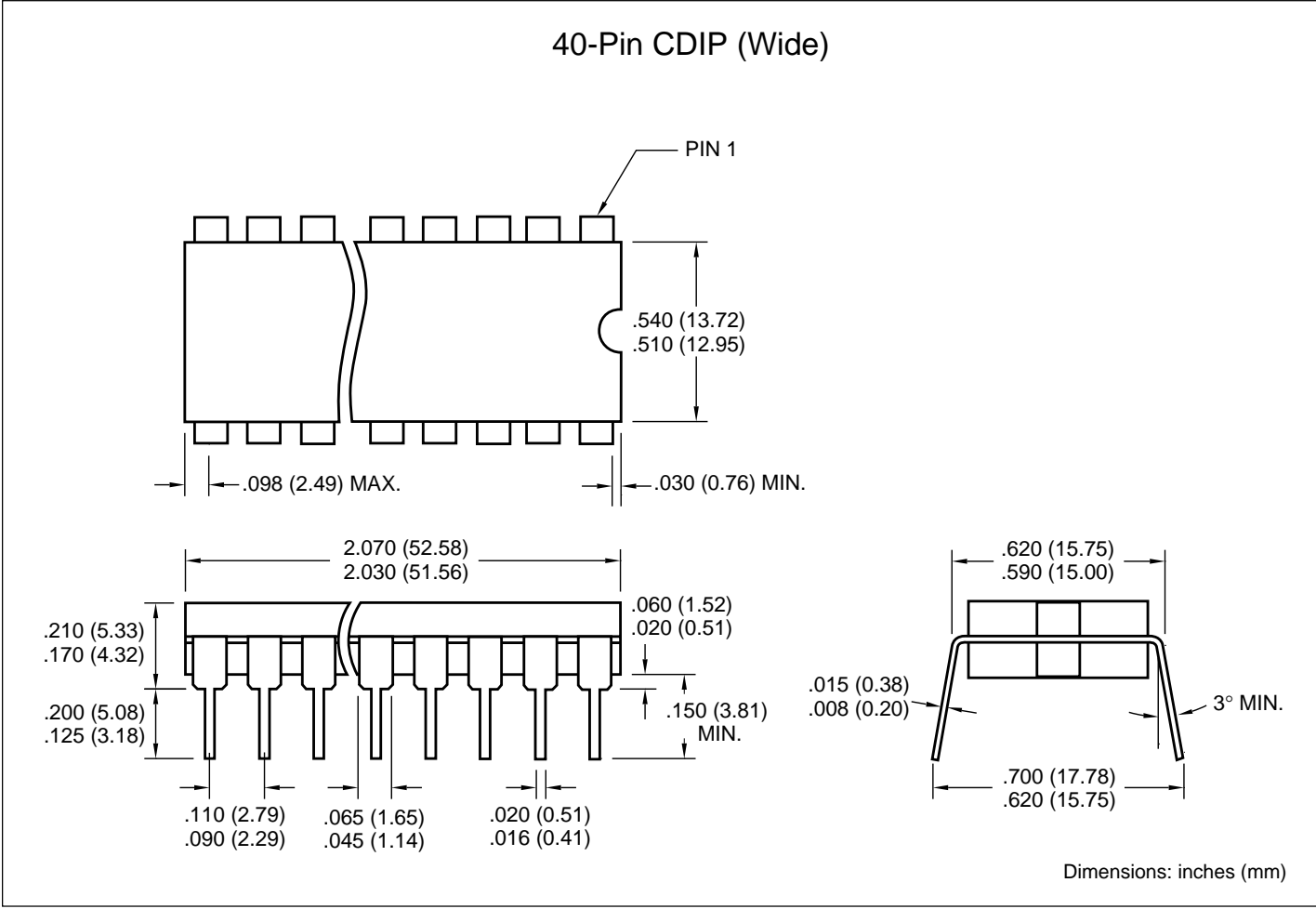


Dimensions: inches (mm)

# 15-Bit, Fast-Integrating CMOS Analog-To-Digital Converter

## TC850

### PACKAGE DIMENSIONS (Cont.)







## WORLDWIDE SALES AND SERVICE

### AMERICAS

#### Corporate Office

2355 West Chandler Blvd.  
Chandler, AZ 85224-6199  
Tel: 480-792-7200 Fax: 480-792-7277  
Technical Support: 480-792-7627  
Web Address: <http://www.microchip.com>

#### Rocky Mountain

2355 West Chandler Blvd.  
Chandler, AZ 85224-6199  
Tel: 480-792-7966 Fax: 480-792-7456

#### Atlanta

500 Sugar Mill Road, Suite 200B  
Atlanta, GA 30350  
Tel: 770-640-0034 Fax: 770-640-0307

#### Austin

Analog Product Sales  
8303 MoPac Expressway North  
Suite A-201  
Austin, TX 78759  
Tel: 512-345-2030 Fax: 512-345-6085

#### Boston

2 Lan Drive, Suite 120  
Westford, MA 01886  
Tel: 978-692-3848 Fax: 978-692-3821

#### Boston

Analog Product Sales  
Unit A-8-1 Millbrook Tarry Condominium  
97 Lowell Road  
Concord, MA 01742  
Tel: 978-371-6400 Fax: 978-371-0050

#### Chicago

333 Pierce Road, Suite 180  
Itasca, IL 60143  
Tel: 630-285-0071 Fax: 630-285-0075

#### Dallas

4570 Westgrove Drive, Suite 160  
Addison, TX 75001  
Tel: 972-818-7423 Fax: 972-818-2924

#### Dayton

Two Prestige Place, Suite 130  
Miamisburg, OH 45342  
Tel: 937-291-1654 Fax: 937-291-9175

#### Detroit

Tri-Atria Office Building  
32255 Northwestern Highway, Suite 190  
Farmington Hills, MI 48334  
Tel: 248-538-2250 Fax: 248-538-2260

#### Los Angeles

18201 Von Karman, Suite 1090  
Irvine, CA 92612  
Tel: 949-263-1888 Fax: 949-263-1338

#### Mountain View

Analog Product Sales  
1300 Terra Bella Avenue  
Mountain View, CA 94043-1836  
Tel: 650-968-9241 Fax: 650-967-1590

#### New York

150 Motor Parkway, Suite 202  
Hauppauge, NY 11788  
Tel: 631-273-5305 Fax: 631-273-5335

#### San Jose

Microchip Technology Inc.  
2107 North First Street, Suite 590  
San Jose, CA 95131  
Tel: 408-436-7950 Fax: 408-436-7955

#### Toronto

6285 Northam Drive, Suite 108  
Mississauga, Ontario L4V 1X5, Canada  
Tel: 905-673-0699 Fax: 905-673-6509

### ASIA/PACIFIC

#### China - Beijing

Microchip Technology Beijing Office  
Unit 915  
New China Hong Kong Manhattan Bldg.  
No. 6 Chaoyangmen Beidajie  
Beijing, 100027, No. China  
Tel: 86-10-85282100 Fax: 86-10-85282104

#### China - Shanghai

Microchip Technology Shanghai Office  
Room 701, Bldg. B  
Far East International Plaza  
No. 317 Xian Xia Road  
Shanghai, 200051  
Tel: 86-21-6275-5700 Fax: 86-21-6275-5060

#### Hong Kong

Microchip Asia Pacific  
RM 2101, Tower 2, Metroplaza  
223 Hing Fong Road  
Kwai Fong, N.T., Hong Kong  
Tel: 852-2401-1200 Fax: 852-2401-3431

#### India

Microchip Technology Inc.  
India Liaison Office  
Divyasree Chambers  
1 Floor, Wing A (A3/A4)  
No. 11, OIShaughnessey Road  
Bangalore, 560 025, India  
Tel: 91-80-2290061 Fax: 91-80-2290062

#### Japan

Microchip Technology Intl. Inc.  
Benex S-1 6F  
3-18-20, Shinyokohama  
Kohoku-Ku, Yokohama-shi  
Kanagawa, 222-0033, Japan  
Tel: 81-45-471-6166 Fax: 81-45-471-6122

#### Korea

Microchip Technology Korea  
168-1, Youngbo Bldg. 3 Floor  
Samsung-Dong, Kangnam-Ku  
Seoul, Korea  
Tel: 82-2-554-7200 Fax: 82-2-558-5934

### ASIA/PACIFIC (continued)

#### Singapore

Microchip Technology Singapore Pte Ltd.  
200 Middle Road  
#07-02 Prime Centre  
Singapore, 188980  
Tel: 65-334-8870 Fax: 65-334-8850

#### Taiwan

Microchip Technology Taiwan  
11F-3, No. 207  
Tung Hua North Road  
Taipei, 105, Taiwan  
Tel: 886-2-2717-7175 Fax: 886-2-2545-0139

### EUROPE

#### Australia

Microchip Technology Australia Pty Ltd  
Suite 22, 41 Rawson Street  
Epping 2121, NSW  
Australia  
Tel: 61-2-9868-6733 Fax: 61-2-9868-6755

#### Denmark

Microchip Technology Denmark ApS  
Regus Business Centre  
Lautrup høj 1-3  
Ballerup DK-2750 Denmark  
Tel: 45 4420 9895 Fax: 45 4420 9910

#### France

Arizona Microchip Technology SARL  
Parc d'Activite du Moulin de Massy  
43 Rue du Saule Trapu  
Batiment A - 1er Etage  
91300 Massy, France  
Tel: 33-1-69-53-63-20 Fax: 33-1-69-30-90-79

#### Germany

Arizona Microchip Technology GmbH  
Gustav-Heinemann Ring 125  
D-81739 Munich, Germany  
Tel: 49-89-627-144 0 Fax: 49-89-627-144-44

#### Germany

Analog Product Sales  
Lochamer Strasse 13  
D-82152 Martinsried, Germany  
Tel: 49-89-895650-0 Fax: 49-89-895650-22

#### Italy

Arizona Microchip Technology SRL  
Centro Direzionale Colleoni  
Palazzo Taurus 1 V. Le Colleoni 1  
20041 Agrate Brianza  
Milan, Italy  
Tel: 39-039-65791-1 Fax: 39-039-6899883

#### United Kingdom

Arizona Microchip Technology Ltd.  
505 Eskdale Road  
Winnersh Triangle  
Wokingham  
Berkshire, England RG41 5TU  
Tel: 44 118 921 5869 Fax: 44-118 921-5820

All rights reserved. © 2001 Microchip Technology Incorporated. Printed in the USA. 1/01  Printed on recycled paper.

01/09/01

Information contained in this publication regarding device applications and the like is intended through suggestion only and may be superseded by updates. It is your responsibility to ensure that your application meets with your specifications. No representation or warranty is given and no liability is assumed by Microchip Technology Incorporated with respect to the accuracy or use of such information, or infringement of patents or other intellectual property rights arising from such use or otherwise. Use of Microchips products as critical components in life support systems is not authorized except with express written approval by Microchip. No licenses are conveyed, implicitly or otherwise, except as maybe explicitly expressed herein, under any intellectual property rights. The Microchip logo and name are registered trademarks of Microchip Technology Inc. in the U.S.A. and other countries. All rights reserved. All other trademarks mentioned herein are the property of their respective companies.