

Resistor-Programmable Temperature Switch in SOT Package

 Check for Samples: [TMP709](#)

FEATURES

- **Threshold Accuracy:**
 - $\pm 0.5^{\circ}\text{C}$ Typical
 - $\pm 3^{\circ}\text{C}$ Maximum ($+60^{\circ}\text{C}$ to $+100^{\circ}\text{C}$)
- **Temperature Threshold Set By 1% External Resistor**
- **Low Quiescent Current: 40 μA Typical**
- **Open-Drain, Active-Low Output Stage**
- **Pin-Selectable 2°C or 10°C Hysteresis**
- **Reset Operation Specified at $V_{\text{CC}} = 0.8\text{ V}$**
- **Supply Range: 2.7 V to 5.5 V**
- **Package: 5-Pin SOT23**

APPLICATIONS

- **Computers (Laptops and Desktops)**
- **Servers**
- **Industrial and Medical Equipment**
- **Storage Area Networks**
- **Automotive**

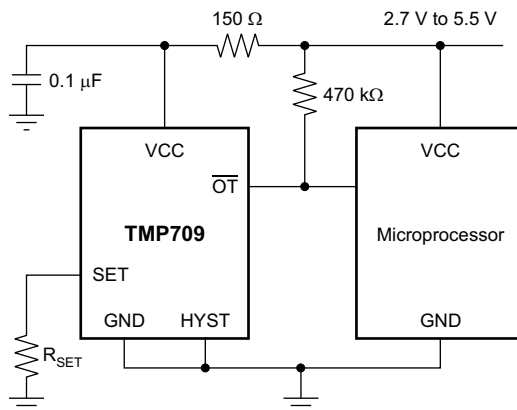
DESCRIPTION

The TMP709 is a fully-integrated, resistor-programmable temperature switch with a temperature threshold that is set by just one external resistor within its entire operating range. The TMP709 provides an open-drain, active-low output and has a 2.7 V to 5.5 V supply voltage range.

The temperature threshold accuracy is typically $\pm 0.5^{\circ}\text{C}$ with a maximum of $\pm 3^{\circ}\text{C}$ ($+60^{\circ}\text{C}$ to $+100^{\circ}\text{C}$). The quiescent current consumption is typically 40 μA . Hysteresis is pin-selectable to 2°C or 10°C .

The TMP709 is available in a 5-pin SOT23 package.

TYPICAL APPLICATION



Please be aware that an important notice concerning availability, standard warranty, and use in critical applications of Texas Instruments semiconductor products and disclaimers thereto appears at the end of this data sheet.

All trademarks are the property of their respective owners.



This integrated circuit can be damaged by ESD. Texas Instruments recommends that all integrated circuits be handled with appropriate precautions. Failure to observe proper handling and installation procedures can cause damage.

ESD damage can range from subtle performance degradation to complete device failure. Precision integrated circuits may be more susceptible to damage because very small parametric changes could cause the device not to meet its published specifications.

PACKAGE/ORDERING INFORMATION⁽¹⁾

| PRODUCT | PACKAGE-LEAD | PACKAGE DESIGNATOR | PACKAGE MARKING | ORDERING NUMBER |
|---------|--------------|--------------------|-----------------|-----------------|
| TMP709 | SOT23-5 | DBV | SBJ | TMP709AIDBVR |
| | | | | TMP709AIDBVT |

(1) For the most current package and ordering information, see the Package Option Addendum at the end of this document, or visit the device product folder at www.ti.com.

ABSOLUTE MAXIMUM RATINGS⁽¹⁾

| | TMP709 | UNIT |
|--|---------------------------------|------|
| Supply voltage range (VCC) | –0.3 to 6 | V |
| Input voltage range (SET and HYST) | –0.3 to (V _{CC} + 0.3) | V |
| Output voltage range (\overline{OT}) | –0.3 to 6 | V |
| Input current | 20 | mA |
| Output current | 20 | mA |
| Operating temperature, T _A | –40 to +125 | °C |
| Storage temperature, T _{stg} | –65 to +150 | °C |
| Junction temperature, T _J | +150 | °C |
| ESD ratings | Human body model (HBM) | 4000 |
| | Charged device model (CDM) | 1000 |
| | Machine model (MM) | 200 |

(1) Stresses above these ratings may cause permanent damage. Exposure to absolute maximum conditions for extended periods may degrade device reliability. These are stress ratings only, and functional operation of the device at these or any other conditions beyond those specified is not supported.

THERMAL INFORMATION

| THERMAL METRIC ⁽¹⁾ | | TMP709 | UNITS |
|-------------------------------|--|-------------|-------|
| | | DBV (SOT23) | |
| | | 5 PINS | |
| θ_{JA} | Junction-to-ambient thermal resistance | 217.9 | °C/W |
| θ_{JcTop} | Junction-to-case (top) thermal resistance | 86.3 | |
| θ_{JB} | Junction-to-board thermal resistance | 44.6 | |
| ψ_{JT} | Junction-to-top characterization parameter | 4.4 | |
| ψ_{JB} | Junction-to-board characterization parameter | 43.8 | |
| θ_{JcBot} | Junction-to-case (bottom) thermal resistance | N/A | |

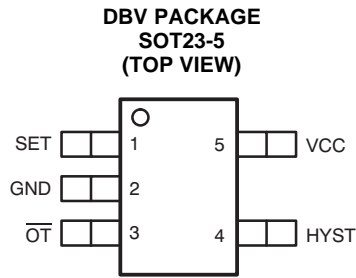
(1) For more information about traditional and new thermal metrics, see the *IC Package Thermal Metrics* application report, [SPRA953](http://www.ti.com).

ELECTRICAL CHARACTERISTICS

At $T_A = 0^\circ\text{C}$ to $+125^\circ\text{C}$ and $V_{CC} = 2.7\text{ V}$ to 5.5 V , unless otherwise noted.

| PARAMETER | TEST CONDITIONS | MIN | TYP | MAX | UNIT |
|---|-----------------------------|---|-----|---------------------|------------------|
| POWER SUPPLY | | | | | |
| V_{CC} | Supply voltage range | 2.7 | | 5.5 | V |
| I_{CC} | Supply current | $V_{CC} = 5\text{ V}$ | 40 | 55 | μA |
| | | $V_{CC} = 2.7\text{ V}$ | 40 | 55 | μA |
| TEMPERATURE | | | | | |
| T_E | Temperature error | $T_A = +60^\circ\text{C}$ to $+100^\circ\text{C}$ | | ± 3 | $^\circ\text{C}$ |
| T_A | Operating temperature range | -40 | | +125 | $^\circ\text{C}$ |
| DIGITAL INPUT (HYST) | | | | | |
| V_{IH} | High-level input voltage | $0.7 \times V_{CC}$ | | | V |
| V_{IL} | Low-level input voltage | | | $0.3 \times V_{CC}$ | V |
| C_{IN} | Input capacitance | | | 10 | pF |
| ANALOG INPUT (SET) | | | | | |
| V_{IN} | Input voltage range | 0 | | V_{CC} | V |
| I_{lkg_in} | Input leakage current | | | 1 | μA |
| DIGITAL OPEN-DRAIN OUTPUT (\overline{OT}) | | | | | |
| $I_{(OT_SINK)}$ | Output sink current | $V_{OT} = 0.3\text{ V}$ | 5 | 12 | mA |
| $I_{lkg(OT)}$ | Output leakage current | $V_{OT} = V_{CC}$ | | | μA |

PIN CONFIGURATION



PIN DESCRIPTIONS

| PIN | | I/O | TYPE | DESCRIPTION |
|-----------------|-----|--------|---------|---|
| NAME | NO. | | | |
| GND | 2 | Power | Analog | Device ground |
| HYST | 4 | Input | Digital | Hysteresis selection. For 10°C, HYST = VCC; for 2°C, HYST = GND. |
| \overline{OT} | 3 | Output | Digital | Open-drain, active low output |
| SET | 1 | Input | Analog | Temperature set point. Connect an external 1% resistor between SET and GND. |
| VCC | 5 | Power | Analog | Power-supply voltage (2.7 V to 5.5 V) |

TYPICAL CHARACTERISTICS

At $T_A = +25^\circ\text{C}$ and $V_{CC} = 2.7\text{ V}$ to 5.5 V , unless otherwise noted.

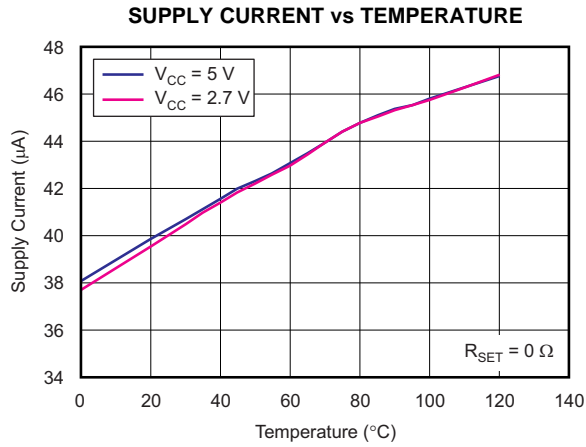


Figure 1.

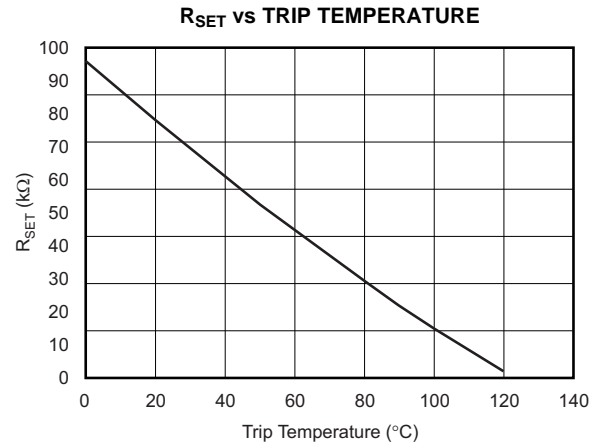


Figure 2.

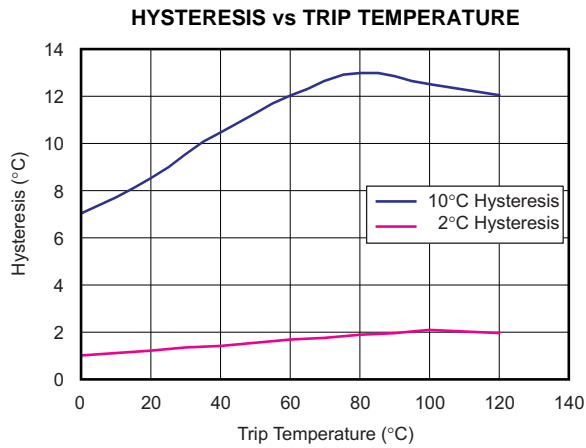


Figure 3.

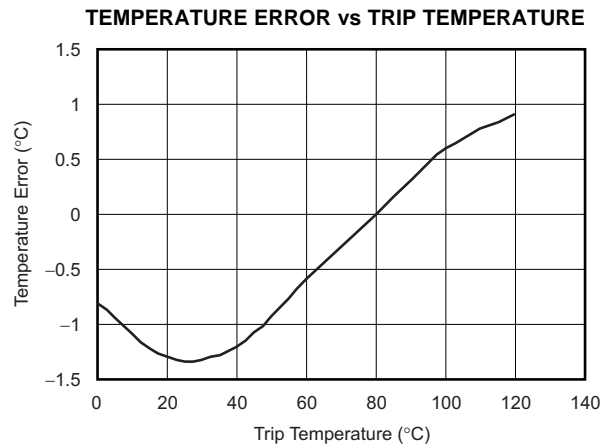


Figure 4.

THEORY OF OPERATION

DEVICE DESCRIPTION

The TMP709 is a fully-integrated, resistor-programmable temperature switch that incorporates two temperature-dependent voltage references and one comparator. One voltage reference exhibits a positive temperature coefficient (tempco), and the other voltage reference exhibits a negative tempco. The temperature at which both voltage references are equal determines the temperature trip point.

The TMP709 temperature threshold is programmable from 0°C to +125°C and is set by an external 1% resistor from the SET pin to the GND pin. The TMP709 has an open-drain, active-low output structure that can easily interface with a microprocessor.

HYSTERESIS INPUT

The HYST pin is a digital input that allows the input hysteresis to be set at either 10°C (when HYST = VCC) or 2°C (when HYST = GND). The hysteresis function keeps the $\overline{\text{OT}}$ pin from oscillating when the temperature is near the threshold. Thus, the HYST pin should always be connected to either VCC or GND. Other input voltages on this pin may cause abnormal supply currents and/or function.

CIRCUIT DETAILS

Figure 5 shows the comparator, the NFET open-drain device connected to the $\overline{\text{OT}}$ pin, the positive tempco reference using the external R_{SET} resistor, the negative tempco reference, and the hysteresis control. The voltage of the positive tempco reference is controlled by external resistor R_{SET} .

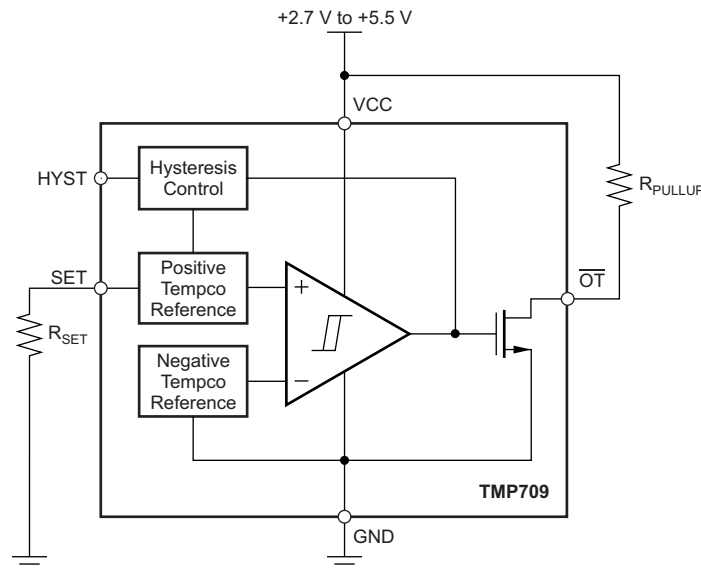


Figure 5. Circuit Details

The TMP709 reaches the temperature trip point when the voltage from the positive tempco reference is greater than the voltage from the negative tempco reference. This situation causes the output of the comparator to switch from logic 0 to logic 1. The comparator output drives the gate of the NFET open-drain device and pulls the voltage on the $\overline{\text{OT}}$ pin from logic 1 to logic 0 under these conditions (output *trips*). Furthermore, the logic 1 output from the comparator causes the hysteresis control to increase the voltage of the positive tempco reference by an amount set by the logic setting on the HYST pin (10°C for logic 1 on the HYST pin; 2°C for logic 0 on the HYST pin). Increasing the voltage of the positive tempco reference after the TMP709 *trips* stops the TMP709 from *untripping* (voltage on the $\overline{\text{OT}}$ pin changing from logic 0 to logic 1) until the local temperature has been reduced by the amount set by the HYST pin. After the local temperature has been reduced and the voltage from the positive tempco reference is less than the voltage from the negative tempco reference, the output of the comparator switches from logic 1 to logic 0. This condition causes the voltage on the $\overline{\text{OT}}$ pin to change from logic 0 to logic 1 (device *untrips*).

APPLICATION INFORMATION

SET-POINT RESISTOR (R_{SET})

The temperature threshold is set by connecting R_{SET} from the SET pin to GND. The value of R_{SET} can be determined using either [Figure 2](#) or from [Equation 1](#):

$$R_{SET} \text{ (k}\Omega\text{)} = 0.0012T^2 - 0.9308T + 96.147$$

Where T = temperature threshold in degree Celsius. (1)

THERMAL CONSIDERATIONS

The TMP709 quiescent current is typically 40 μ A. The device dissipates negligible power when the output drives a high-impedance load. Thus, the die temperature is the same as the package temperature. In order to maintain accurate temperature monitoring, a good thermal contact should be provided between the TMP709 package and the device being monitored. The rise in die temperature as a result of self-heating is given by the following equation:

$$\Delta T_J = P_{DISS} \times \theta_{JA}$$

Where:

P_{DISS} = power dissipated by the device.

θ_{JA} = package thermal resistance. Typical thermal resistance for SOT-23 package is 217.9°C/W. (2)

To minimize the effects of self-heating, keep the output current at a minimum level.

POWER-SUPPLY FILTERING

Any significant noise on the VCC pin may result in a trip-point error. This noise can be minimized levels by low-pass filtering the device supply (V_{CC}) using a 150- Ω resistor and a 0.1- μ F capacitor.

REVISION HISTORY

NOTE: Page numbers for previous revisions may differ from page numbers in the current version.

| Changes from Original (December 2011) to Revision A | Page |
|---|-------------|
| • Updated threshold accuracy feature bullet | 1 |
| • Updated threshold accuracy text in second paragraph of <i>Description</i> section | 1 |
| • Updated temperature error parameter in the Electrical Characteristics | 3 |

PACKAGING INFORMATION

| Orderable Device | Status ⁽¹⁾ | Package Type | Package Drawing | Pins | Package Qty | Eco Plan ⁽²⁾ | Lead/ Ball Finish | MSL Peak Temp ⁽³⁾ | Samples (Requires Login) |
|------------------|-----------------------|--------------|-----------------|------|-------------|----------------------------|----------------------|------------------------------|-----------------------------|
| TMP709AIDBVR | ACTIVE | SOT-23 | DBV | 5 | 3000 | Green (RoHS & no Sb/Br) | CU NIPDAU | Level-2-260C-1 YEAR | |
| TMP709AIDBVT | ACTIVE | SOT-23 | DBV | 5 | 250 | Green (RoHS & no Sb/Br) | CU NIPDAU | Level-2-260C-1 YEAR | |

⁽¹⁾ The marketing status values are defined as follows:

ACTIVE: Product device recommended for new designs.

LIFEBUY: TI has announced that the device will be discontinued, and a lifetime-buy period is in effect.

NRND: Not recommended for new designs. Device is in production to support existing customers, but TI does not recommend using this part in a new design.

PREVIEW: Device has been announced but is not in production. Samples may or may not be available.

OBsolete: TI has discontinued the production of the device.

⁽²⁾ Eco Plan - The planned eco-friendly classification: Pb-Free (RoHS), Pb-Free (RoHS Exempt), or Green (RoHS & no Sb/Br) - please check <http://www.ti.com/productcontent> for the latest availability information and additional product content details.

TBD: The Pb-Free/Green conversion plan has not been defined.

Pb-Free (RoHS): TI's terms "Lead-Free" or "Pb-Free" mean semiconductor products that are compatible with the current RoHS requirements for all 6 substances, including the requirement that lead not exceed 0.1% by weight in homogeneous materials. Where designed to be soldered at high temperatures, TI Pb-Free products are suitable for use in specified lead-free processes.

Pb-Free (RoHS Exempt): This component has a RoHS exemption for either 1) lead-based flip-chip solder bumps used between the die and package, or 2) lead-based die adhesive used between the die and leadframe. The component is otherwise considered Pb-Free (RoHS compatible) as defined above.

Green (RoHS & no Sb/Br): TI defines "Green" to mean Pb-Free (RoHS compatible), and free of Bromine (Br) and Antimony (Sb) based flame retardants (Br or Sb do not exceed 0.1% by weight in homogeneous material)

⁽³⁾ MSL, Peak Temp. -- The Moisture Sensitivity Level rating according to the JEDEC industry standard classifications, and peak solder temperature.

Important Information and Disclaimer: The information provided on this page represents TI's knowledge and belief as of the date that it is provided. TI bases its knowledge and belief on information provided by third parties, and makes no representation or warranty as to the accuracy of such information. Efforts are underway to better integrate information from third parties. TI has taken and continues to take reasonable steps to provide representative and accurate information but may not have conducted destructive testing or chemical analysis on incoming materials and chemicals. TI and TI suppliers consider certain information to be proprietary, and thus CAS numbers and other limited information may not be available for release.

In no event shall TI's liability arising out of such information exceed the total purchase price of the TI part(s) at issue in this document sold by TI to Customer on an annual basis.

TAPE AND REEL INFORMATION
REEL DIMENSIONS

TAPE DIMENSIONS


| | |
|----|---|
| A0 | Dimension designed to accommodate the component width |
| B0 | Dimension designed to accommodate the component length |
| K0 | Dimension designed to accommodate the component thickness |
| W | Overall width of the carrier tape |
| P1 | Pitch between successive cavity centers |

TAPE AND REEL INFORMATION

*All dimensions are nominal

| Device | Package Type | Package Drawing | Pins | SPQ | Reel Diameter (mm) | Reel Width W1 (mm) | A0 (mm) | B0 (mm) | K0 (mm) | P1 (mm) | W (mm) | Pin1 Quadrant |
|--------------|--------------|-----------------|------|------|--------------------|--------------------|---------|---------|---------|---------|--------|---------------|
| TMP709AIDBVR | SOT-23 | DBV | 5 | 3000 | 178.0 | 9.0 | 3.23 | 3.17 | 1.37 | 4.0 | 8.0 | Q3 |
| TMP709AIDBVT | SOT-23 | DBV | 5 | 250 | 178.0 | 9.0 | 3.23 | 3.17 | 1.37 | 4.0 | 8.0 | Q3 |

TAPE AND REEL BOX DIMENSIONS



*All dimensions are nominal

| Device | Package Type | Package Drawing | Pins | SPQ | Length (mm) | Width (mm) | Height (mm) |
|--------------|--------------|-----------------|------|------|-------------|------------|-------------|
| TMP709AIDBVR | SOT-23 | DBV | 5 | 3000 | 180.0 | 180.0 | 18.0 |
| TMP709AIDBVT | SOT-23 | DBV | 5 | 250 | 180.0 | 180.0 | 18.0 |

DBV (R-PDSO-G5)

PLASTIC SMALL-OUTLINE PACKAGE



4073253-4/K 03/2006

- NOTES:
- A. All linear dimensions are in millimeters.
 - B. This drawing is subject to change without notice.
 - C. Body dimensions do not include mold flash or protrusion. Mold flash and protrusion shall not exceed 0.15 per side.
 - D. Falls within JEDEC MO-178 Variation AA.

DBV (R-PDSO-G5)

PLASTIC SMALL OUTLINE



- NOTES:
- A. All linear dimensions are in millimeters.
 - B. This drawing is subject to change without notice.
 - C. Customers should place a note on the circuit board fabrication drawing not to alter the center solder mask defined pad.
 - D. Publication IPC-7351 is recommended for alternate designs.
 - E. Laser cutting apertures with trapezoidal walls and also rounding corners will offer better paste release. Customers should contact their board assembly site for stencil design recommendations. Example stencil design based on a 50% volumetric metal load solder paste. Refer to IPC-7525 for other stencil recommendations.

IMPORTANT NOTICE

Texas Instruments Incorporated and its subsidiaries (TI) reserve the right to make corrections, modifications, enhancements, improvements, and other changes to its products and services at any time and to discontinue any product or service without notice. Customers should obtain the latest relevant information before placing orders and should verify that such information is current and complete. All products are sold subject to TI's terms and conditions of sale supplied at the time of order acknowledgment.

TI warrants performance of its hardware products to the specifications applicable at the time of sale in accordance with TI's standard warranty. Testing and other quality control techniques are used to the extent TI deems necessary to support this warranty. Except where mandated by government requirements, testing of all parameters of each product is not necessarily performed.

TI assumes no liability for applications assistance or customer product design. Customers are responsible for their products and applications using TI components. To minimize the risks associated with customer products and applications, customers should provide adequate design and operating safeguards.

TI does not warrant or represent that any license, either express or implied, is granted under any TI patent right, copyright, mask work right, or other TI intellectual property right relating to any combination, machine, or process in which TI products or services are used. Information published by TI regarding third-party products or services does not constitute a license from TI to use such products or services or a warranty or endorsement thereof. Use of such information may require a license from a third party under the patents or other intellectual property of the third party, or a license from TI under the patents or other intellectual property of TI.

Reproduction of TI information in TI data books or data sheets is permissible only if reproduction is without alteration and is accompanied by all associated warranties, conditions, limitations, and notices. Reproduction of this information with alteration is an unfair and deceptive business practice. TI is not responsible or liable for such altered documentation. Information of third parties may be subject to additional restrictions.

Resale of TI products or services with statements different from or beyond the parameters stated by TI for that product or service voids all express and any implied warranties for the associated TI product or service and is an unfair and deceptive business practice. TI is not responsible or liable for any such statements.

TI products are not authorized for use in safety-critical applications (such as life support) where a failure of the TI product would reasonably be expected to cause severe personal injury or death, unless officers of the parties have executed an agreement specifically governing such use. Buyers represent that they have all necessary expertise in the safety and regulatory ramifications of their applications, and acknowledge and agree that they are solely responsible for all legal, regulatory and safety-related requirements concerning their products and any use of TI products in such safety-critical applications, notwithstanding any applications-related information or support that may be provided by TI. Further, Buyers must fully indemnify TI and its representatives against any damages arising out of the use of TI products in such safety-critical applications.

TI products are neither designed nor intended for use in military/aerospace applications or environments unless the TI products are specifically designated by TI as military-grade or "enhanced plastic." Only products designated by TI as military-grade meet military specifications. Buyers acknowledge and agree that any such use of TI products which TI has not designated as military-grade is solely at the Buyer's risk, and that they are solely responsible for compliance with all legal and regulatory requirements in connection with such use.

TI products are neither designed nor intended for use in automotive applications or environments unless the specific TI products are designated by TI as compliant with ISO/TS 16949 requirements. Buyers acknowledge and agree that, if they use any non-designated products in automotive applications, TI will not be responsible for any failure to meet such requirements.

Following are URLs where you can obtain information on other Texas Instruments products and application solutions:

Products

| | |
|------------------------|--|
| Audio | www.ti.com/audio |
| Amplifiers | amplifier.ti.com |
| Data Converters | dataconverter.ti.com |
| DLP® Products | www.dlp.com |
| DSP | dsp.ti.com |
| Clocks and Timers | www.ti.com/clocks |
| Interface | interface.ti.com |
| Logic | logic.ti.com |
| Power Mgmt | power.ti.com |
| Microcontrollers | microcontroller.ti.com |
| RFID | www.ti-rfid.com |
| OMAP Mobile Processors | www.ti.com/omap |
| Wireless Connectivity | www.ti.com/wirelessconnectivity |

Applications

| | |
|-------------------------------|--|
| Automotive and Transportation | www.ti.com/automotive |
| Communications and Telecom | www.ti.com/communications |
| Computers and Peripherals | www.ti.com/computers |
| Consumer Electronics | www.ti.com/consumer-apps |
| Energy and Lighting | www.ti.com/energy |
| Industrial | www.ti.com/industrial |
| Medical | www.ti.com/medical |
| Security | www.ti.com/security |
| Space, Avionics and Defense | www.ti.com/space-avionics-defense |
| Video and Imaging | www.ti.com/video |

TI E2E Community Home Page

e2e.ti.com

Mailing Address: Texas Instruments, Post Office Box 655303, Dallas, Texas 75265
Copyright © 2012, Texas Instruments Incorporated