



TS971

RAIL TO RAIL VERY LOW NOISE SINGLE OPERATIONAL AMPLIFIER

PRODUCT PREVIEW

- VERY LOW NOISE LEVEL : $4\text{nV}/\sqrt{\text{Hz}}$
- ULTRA LOW DISTORTION : 0.003%
- HIGH DYNAMIC FEATURES (12MHz, 4V/ μs)
- OPERATING RANGE : 2.7V to 10V
- LARGE OUTPUT SWING
($\pm 2.4\text{V}$ @ $V_{\text{CC}} = \pm 2.5\text{V}$)

- ESD TOLERANCE : 2000V
- LATCH-UP IMMUNITY

- AVAILABLE IN **SOT23-5** MICROPACKAGE

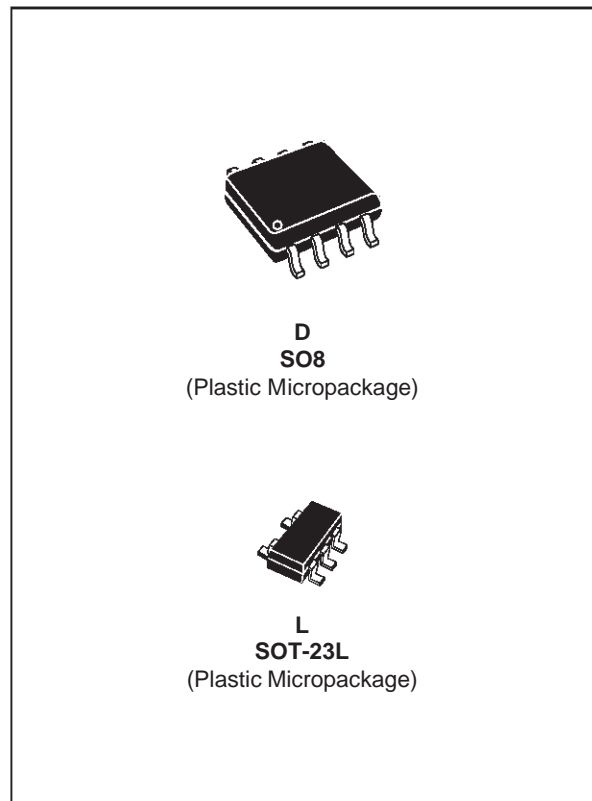
DESCRIPTION

The TS971 is a single operational amplifier able to operate with voltages as low as $\pm 1.35\text{V}$ and featuring output Rail to Rail. It offers a set of valuable characteristics that makes it particularly well-suited for every kind of portable and battery-supplied equipment in which low noise and low distortion are a key.

It is housed in the space-saving 5 pins SOT23-5 package which simplifies the board design because of the ability to be placed everywhere (outside dimensions are 2.8mm x 2.9mm)

APPLICATIONS

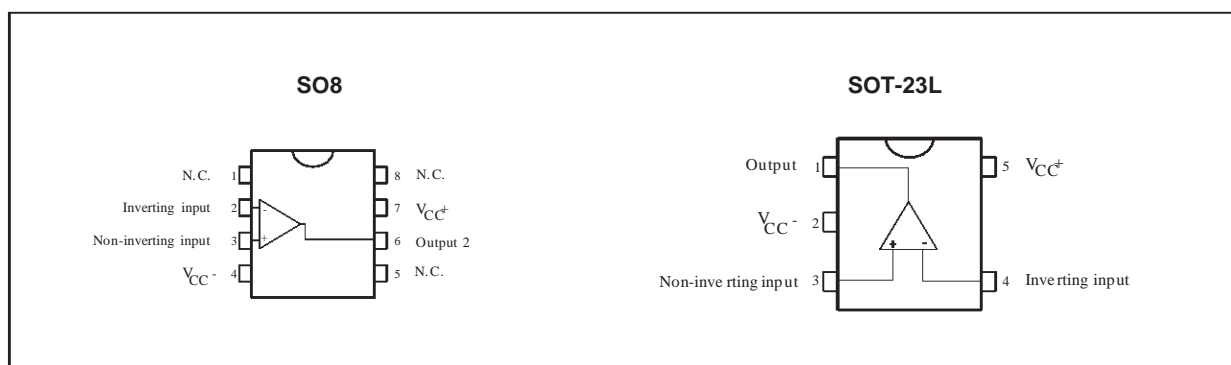
- Nomadics equipments (CD player, PDA, ...)
- Portable communication sets (phone, pager, ..)
- Instrumentation & sensing



ORDER CODES

Part Number	Temperature Range	Package		SOT Marking
		D	L	
TS971C	-20, +70°C	•	•	K120

PIN CONNECTIONS (top view)



June 1998

This is preliminary information on a new product now in development. Details are subject to change without notice.

ABSOLUTE MAXIMUM RATINGS

Symbol	Parameter	Value	Unit
V _{CC}	Supply Voltage	12	V
V _{id}	Differential Input Voltage - note 1	±V _{CC}	V
T _{oper}	Operating Free Air Temperature Range	-20 to +70	°C
T _{stg}	Storage Temperature	-65 to +150	°C
T _j	Maximum Junction Temperature	150	°C
R _{thjc}	Thermal Resistance Junction to Case	81	°C/W
R _{thja}	Thermal Resistance Junction to Ambient	256	°C/W

Note : 1. Either or both input voltages must not exceed the magnitude of V_{CC}⁺ or V_{CC}⁻

OPERATING CONDITIONS

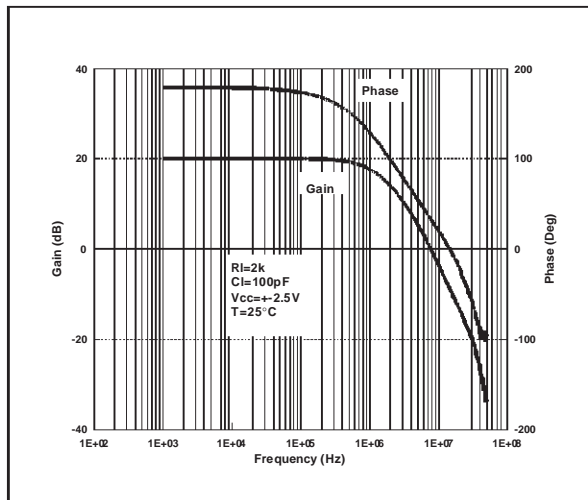
Symbol	Parameter	Value	Unit
V _{CC}	Supply Voltage	2.7 to 10	V

ELECTRICAL CHARACTERISTICS

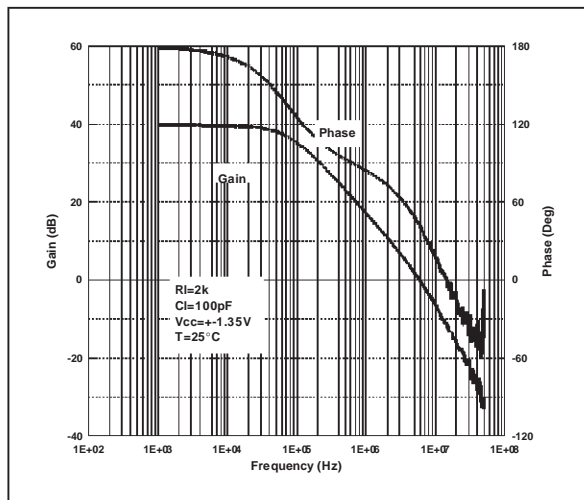
V_{CC}⁺ = 2.5V, V_{CC}⁻ = -2.5V, T_{amb} = 25°C (unless otherwise specified)

Symbol	Parameter	Min.	Typ.	Max.	Unit
V _{io}	Input Offset Voltage T _{min.} < T _{amb} < T _{max.}		1	5 7	mV
DV _{io}	Input Offset Voltage Drift V _{ic} = 0V, V _o = 0V		5		µV/°C
I _{io}	Input Offset Current T _{min.} < T _{amb} < T _{max.} V _{ic} = 0V, V _o = 0V		10	150 T.B.D.	nA
I _{ib}	Input Bias Current T _{min.} < T _{amb} < T _{max.} V _{ic} = 0V, V _o = 0V		250	750 T.B.D.	nA
V _{icm}	Common Mode Input Voltage Range		±1.5		V
CMR	Common Mode Rejection Ratio V _{ic} = ±1.35V	60	85		dB
SVR	Supply Voltage Rejection Ratio V _{CC} = ±2V to ±3V	60	70		dB
V _{oh}	High Level Output Voltage R _L = 2k	2	2.4		V
V _{ol}	Low Level Output Voltage R _L = 2k		-2.4	-2	V
A _{vd}	Large Signal Voltage Gain R _L = 2k	70	80		dB
GBP	Gain Bandwidth Product f = 100kHz, R _L = 2kΩ, C _L = 100pF	8.5	12		MHz
SR	Slew Rate A _v = 1, V _{in} = ±1V	2.8	4		V/µs
∅ _m	Phase Margin at Unity Gain R _L = 2kΩ, C _L = 100pF		60		Degrees
G _m	Gain Margin R _L = 2kΩ, C _L = 100pF		10		dB
I _{cc}	Supply Current Unity gain - no load		2	2.8	mA
e _n	Equivalent Input Noise Voltage f = 100kHz		4		$\frac{nV}{\sqrt{Hz}}$
THD	Total Harmonic Distortion f = 1kHz, A _v = -1, R _L = 10k		0.003		%

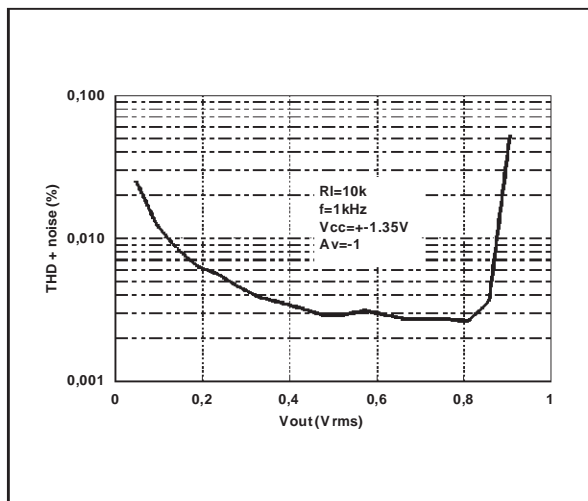
VOLTAGE GAIN AND PHASE vs FREQUENCY



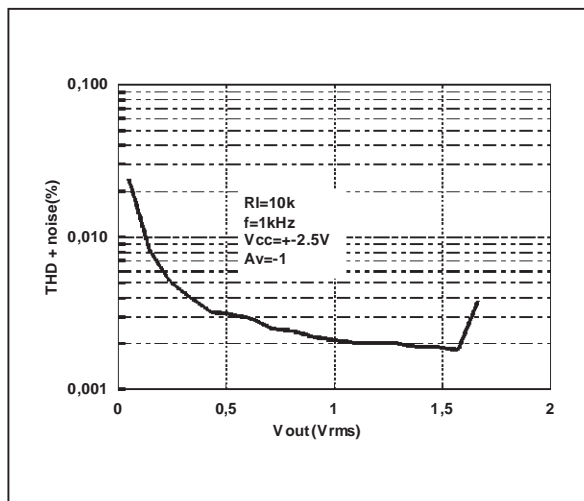
VOLTAGE GAIN AND PHASE vs FREQUENCY



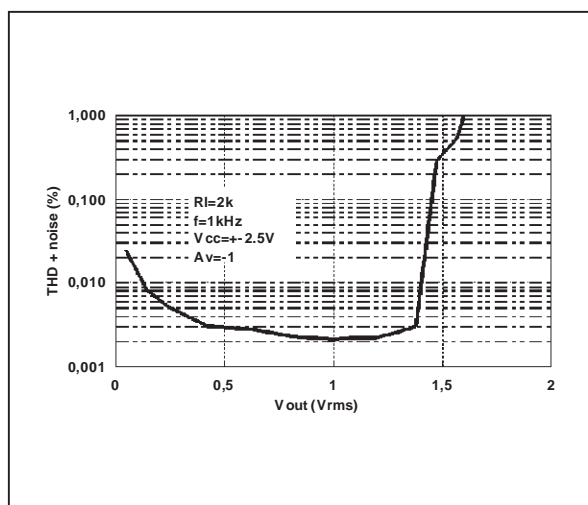
THD + NOISE vs V_{OUT}



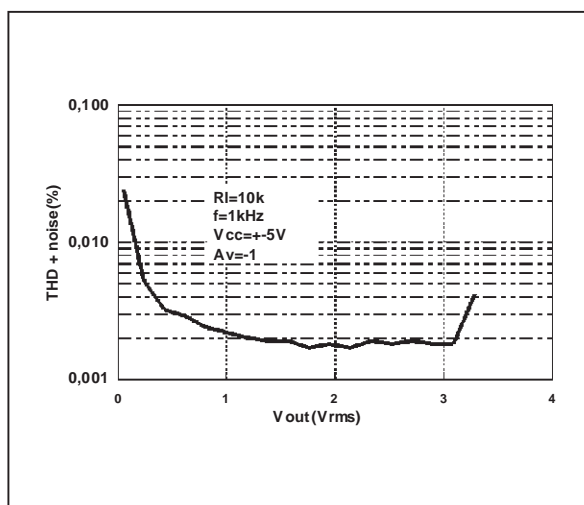
THD + NOISE vs V_{OUT}



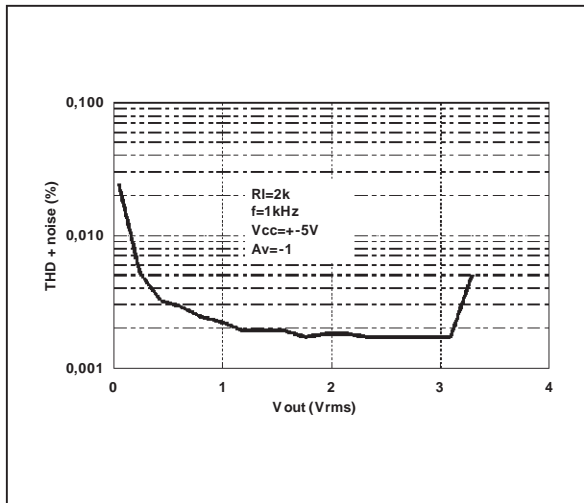
THD + NOISE vs V_{OUT}



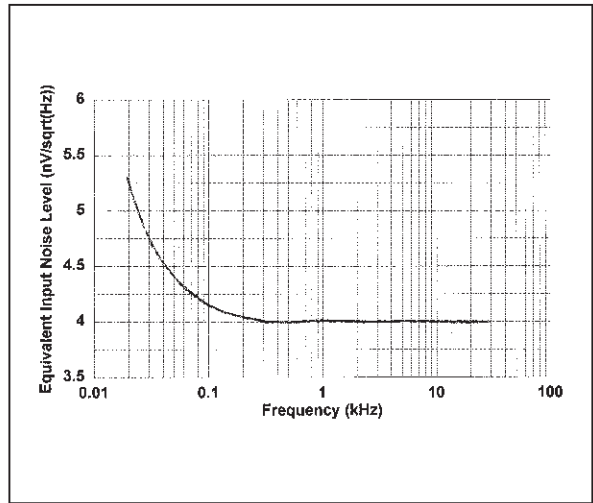
THD + NOISE vs V_{OUT}



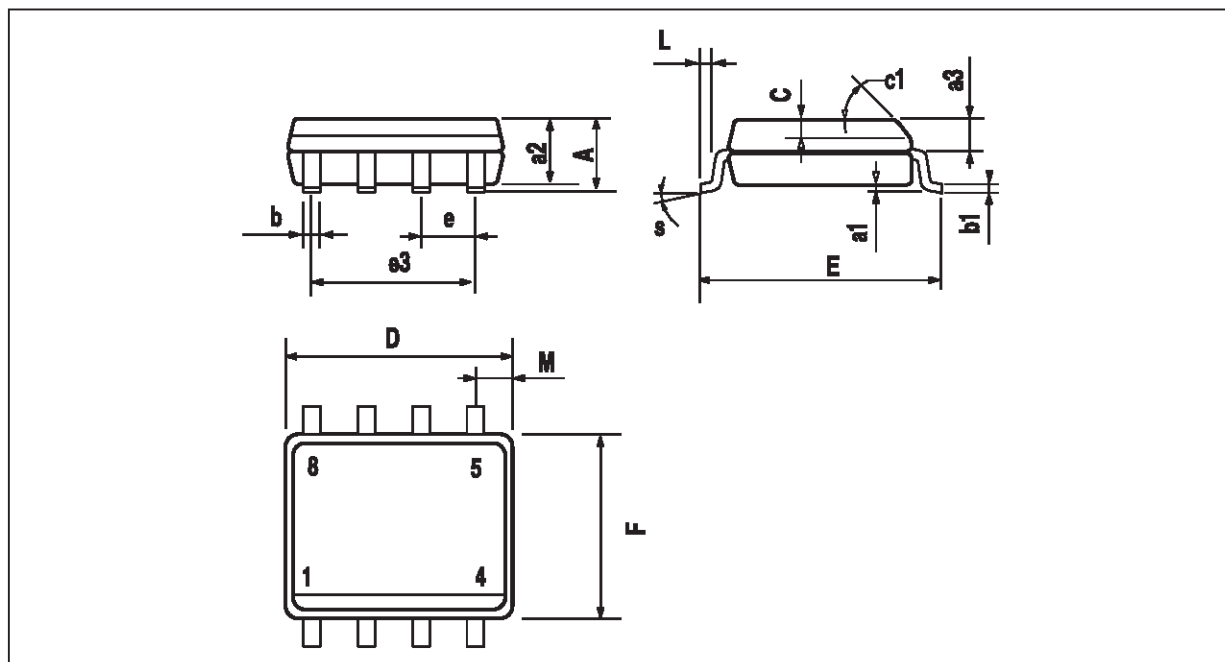
THD + NOISE vs V_{OUT}



INPUT VOLTAGE NOISE vs FREQUENCY

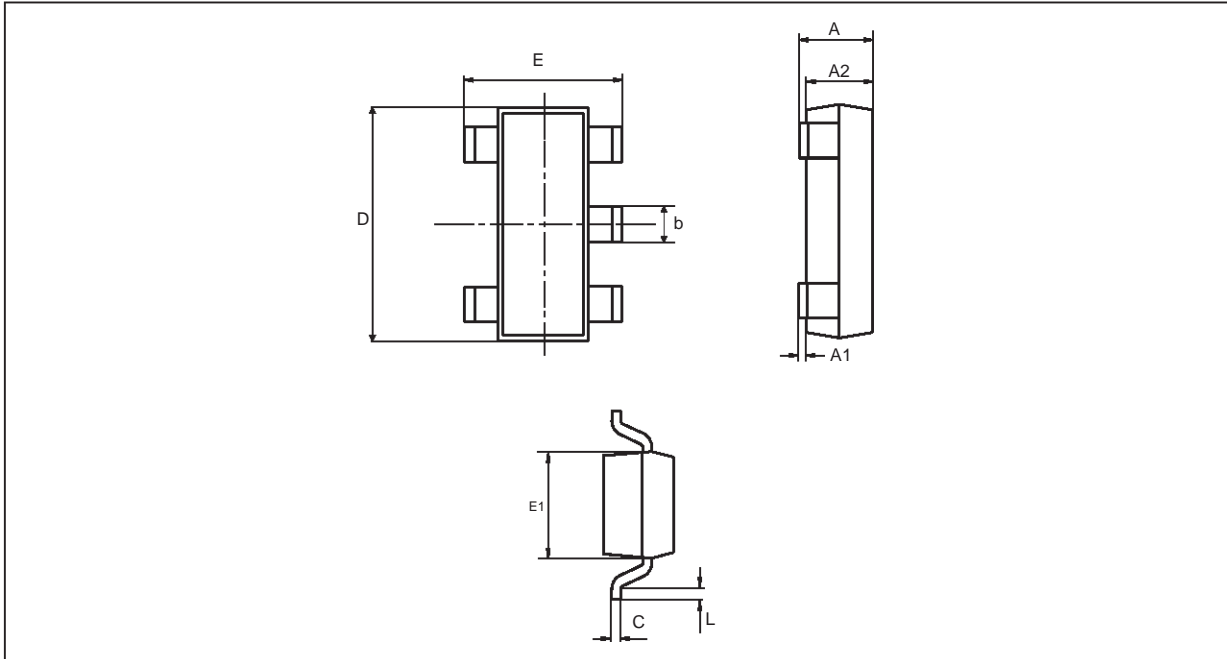


PACKAGE MECHANICAL DATA
8 PINS - PLASTIC MICROPACKAGE (SO)



Dimensions	Millimeters			Inches		
	Min.	Typ.	Max.	Min.	Typ.	Max.
A			1.75			0.069
a1	0.1		0.25	0.004		0.010
a2			1.65			0.065
a3	0.65		0.85	0.026		0.033
b	0.35		0.48	0.014		0.019
b1	0.19		0.25	0.007		0.010
C	0.25		0.5	0.010		0.020
c1	45° (typ.)					
D	4.8		5.0	0.189		0.197
E	5.8		6.2	0.228		0.244
e		1.27			0.050	
e3		3.81			0.150	
F	3.8		4.0	0.150		0.157
L	0.4		1.27	0.016		0.050
M			0.6			0.024
S	8° (max.)					

PACKAGE MECHANICAL DATA
5 PINS - TINY PACKAGE (SOT23)



Dim.	Millimeters		Inches	
	Min.	Max.	Min.	Max.
A	0.90	1.45	0.034	0.057
A1	0	0.15		0.006
A2	0.90	1.30	0.034	0.051
b	0.35	0.50	0.013	0.020
C	0.09	0.20	0.003	0.008
D	2.80	3.00	0.110	0.118
E	2.60	3.00	0.102	0.118
E1	1.50	1.75	0.059	0.069
L	0.10	0.60	0.003	0.024

Information furnished is believed to be accurate and reliable. However, STMicroelectronics assumes no responsibility for the consequences of use of such information nor for any infringement of patents or other rights of third parties which may result from its use. No license is granted by implication or otherwise under any patent or patent rights of STMicroelectronics. Specifications mentioned in this publication are subject to change without notice. This publication supersedes and replaces all information previously supplied. STMicroelectronics products are not authorized for use as critical components in life support devices or systems without express written approval of STMicroelectronics.

© The ST logo is a trademark of STMicroelectronics

© 1998 STMicroelectronics – Printed in Italy – All Rights Reserved
 STMicroelectronics GROUP OF COMPANIES

Australia - Brazil - Canada - China - France - Germany - Italy - Japan - Korea - Malaysia - Malta - Mexico - Morocco
 The Netherlands - Singapore - Spain - Sweden - Switzerland - Taiwan - Thailand - United Kingdom - U.S.A.

ORDER CODE :