

# Resonant Ring Generator Controller

## FEATURES

- Novel Topology for Low-Cost, Efficient Generation of Ring Voltage
- Suitable for Multi-Line Operation
- Selectable 20, 25 and 50 Hz Ring Frequency
- Secondary (AC) Current Limiting Generates an Off-Hook Detect Signal
- Primary Current Limiting to Turn Power Stage Off Under Fault Conditions
- Operates from a Single 12V Supply

## DESCRIPTION

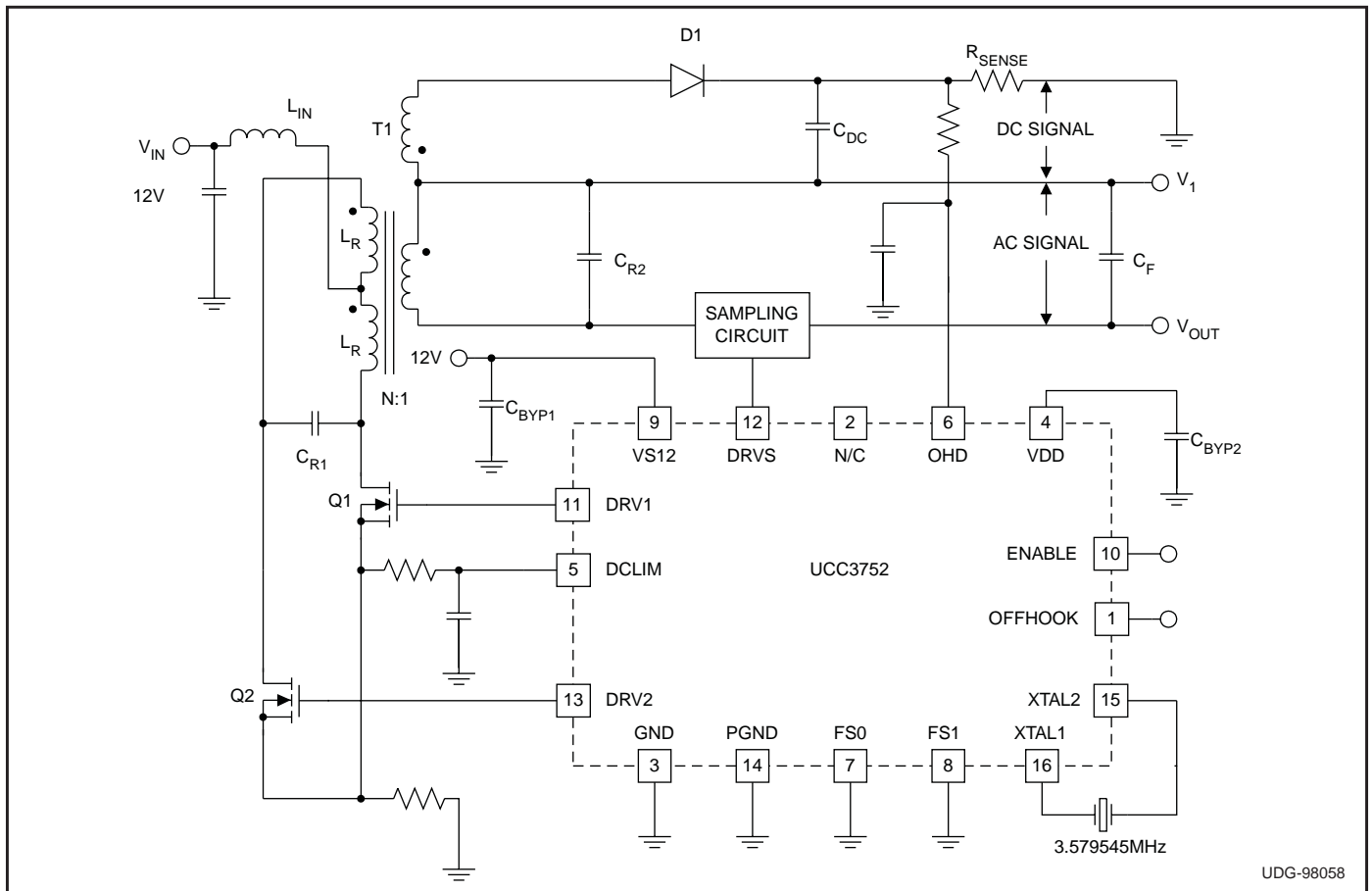
The UCC3752 controller is designed for driving a power stage that generates low frequency, high voltage sinusoidal signals for telephone ringing applications. The controller and the power stage are most suitable for up to 5 line applications where low cost, high efficiency and minimum parts count are critical. A semi-regulated DC voltage is added as an offset to the ringing signal. The ring generator operation is non-isolated and open loop.

The UCC3752 directly drives primary side switches used to implement a push-pull resonant converter topology and transformer coupled sampling switches located on the secondary of the converter. For normal ring signal generation, the primary switching frequency and secondary sampling frequency are precisely offset from each other by the ringing frequency to produce a high voltage low frequency alias signal at the output. The off-hook condition is detected by sensing the AC current and when AC limit is exceeded, a flag is generated on the OFFHOOK pin.

The drive signal frequencies are derived from a high frequency (3579545 Hz) crystal. The primary switching frequency is 89.489 kHz and the sampling frequency is 20, 25 or 50 Hz less depending on the status of frequency select pins FS0 and FS1.

*The circuits described in this datasheet are covered under US Patent #5,663,878 and other patents pending.*

## TYPICAL APPLICATION



UDG-98058

**ABSOLUTE MAXIMUM RATINGS**

Input Supply Voltage . . . . . 13.2V  
 Analog Inputs (OHD, DCLIM, XTAL1, XTAL2)  
 Maximum Forced Voltage. . . . . –0.3 to 5V  
 Logic Inputs  
 Maximum Forced Voltage . . . . . –0.3 to 7.5V  
 Reference Output Current (VDD). . . . . Internally Limited  
 Output Current (DRV1, DRV2, DRVS) Pulsed. . . . . 1.5A  
 Operating Junction Temperature . . . . . –40°C to +125°C  
 Storage Temperature . . . . . –65°C to +150°C

*Note: Unless otherwise indicated, voltages are referenced to ground and currents are positive into, negative out of, the specific terminals. Pulsed is defined as a less than 10% duty cycle with a maximum duration of 500 S.*

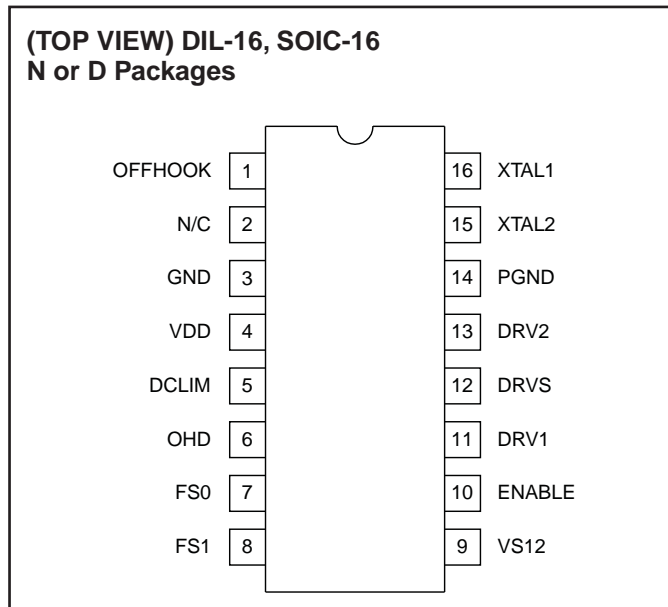
**Table 1. Frequency selectability decoding.**

FS1	FS0	MODE	Sine Wave Frequency (Hz)
0	0	1	20
0	1	1	25
1	0	1	50
1	1	3	0

FS1	FS0	FDRVS	FDRV – FDRVS
0	0	89.469kHz	20Hz
0	1	89.464kHz	25Hz
1	0	89.439kHz	50Hz

**CONNECTION DIAGRAMS**

**(TOP VIEW) DIL-16, SOIC-16  
N or D Packages**



**ELECTRICAL CHARACTERISTICS:** Unless otherwise stated, these specifications hold for TA = 0°C to 70°C for the UCC3752 and –40°C to +85°C for the UCC2752, TA = TJ.

PARAMETER	TEST CONDITIONS	MIN	TYP	MAX	UNITS
<b>V12 Supply Current Section</b>					
Supply Current	ENABLE = 0V		0.5	3	mA
	ENABLE = 5V		0.5	3	mA
<b>Internal Reference with External Bypass Section</b>					
Output Voltage (VDD)		4.85	5	5.15	V
Load Regulation	0mA ≤ IVDD ≤ 2mA		5	20	mV
Line Regulation	10V < VS12 < 13V, IVDD = 1mA		3	20	mV
Short Circuit Current	VDD = 0	5	10		mA
<b>Output Drivers Section (DRV1, DRV2)</b>					
Pull Up Resistance	ILOAD = 10mA to 20mA		6	15	
Pull Down Resistance	ILOAD = 10mA to 20mA		6	15	
Rise Time	CLOAD = 1nF		50	100	nS
Fall Time	CLOAD = 1nF		50	100	nS
<b>Output Drivers Section (DRVS)</b>					
Pull Up Resistance	ILOAD = 10mA to 20mA		4	10	
Pull Down Resistance	ILOAD = 10mA to 20mA		4	10	
Sample Pulse-Width	Mode 1 (Table 1)	240	280	320	nS
Rise Time	CLOAD = 1nF		50	100	nS
Fall Time	CLOAD = 1nF		50	100	nS

**ELECTRICAL CHARACTERISTICS:** Unless otherwise stated, these specifications hold for  $T_A = 0^\circ\text{C}$  to  $70^\circ\text{C}$  for the UCC3752 and  $-40^\circ\text{C}$  to  $+85^\circ\text{C}$  for the UCC2752,  $T_A = T_J$ .

PARAMETER	TEST CONDITIONS	MIN	TYP	MAX	UNITS
<b>Current Limit Section</b>					
DCLIM Threshold		250	300	350	mV
DCLIM Input Current	$V_{DCLIM} = 0V$	-900	-100		nA
<b>OffHook Detect Section</b>					
OHD Threshold		250	300	350	mV
OHD Input Current	$V_{OHD} = 0V$	-900	-100		nA
Offhook $V_{OH}$	$I_{OFFHOOK} = 1mA$	3.0	4.0		V
Offhook $V_{OL}$	$I_{OFFHOOK} = -1mA$		1.0	1.5	V
Offhook Pull-Up Impedance	$I_{LOAD} = 0mA$ to $1mA$	100	400	900	
Offhook Pull-Down Impedance	$I_{LOAD} = 0mA$ to $1mA$	100	250	900	
<b>Frequency Section (Table 1)</b>					
Primary Switching Frequency	All cases 3.579545 MHz Crystal		89489		Hz
Sampling Switching Frequency	$FS0 = 0, FS1 = 0, \text{Mode } 1, (\text{Table } 1)$		89469		Hz
	$FS0 = 1, FS1 = 0, \text{Mode } 1$		89464		Hz
	$FS0 = 0, FS1 = 1, \text{Mode } 1$		89439		Hz

## PIN DESCRIPTIONS

**DCLIM:** Primary current sense input. Signal proportional to the primary switch current. All outputs are turned off when a threshold of 300mV is exceeded on this pin. This current-limit works on a cycle-by-cycle basis.

**DRV1, DRV2:** Low impedance driver outputs for the primary switches. DRV1 and DRV2 are complimentary and have 50% duty cycle.

**DRVS:** Low impedance driver output for the sampling switch(es). The pulse width of this output is 280ns. Typically, a pulse transformer is used to couple the short sampling pulses at DRVS to the floating sampling switch(es).

**ENABLE:** Logic input which turns off the outputs when low.

**FS0, FS1:** Frequency select pins for determining the difference frequency between primary and secondary pulses under normal operation. These pins can be hard-wired to GND or VDD to get one of the available output frequencies (20,25 and 50 Hz). See Table 1 in the spec table.

**GND:** Reference point for all the internal voltages and common return for the device.

**OFFHOOK:** Output indicating the off-hook condition. This signal can be used by an external circuit to switch to a line from the ring generator output to the DC voltage.

**OHD:** Off-Hook Detect. Voltage proportional to output current DC level is fed into this pin and compared to an internal threshold of 300mV. If the threshold is exceeded, the OFFHOOK output goes high.

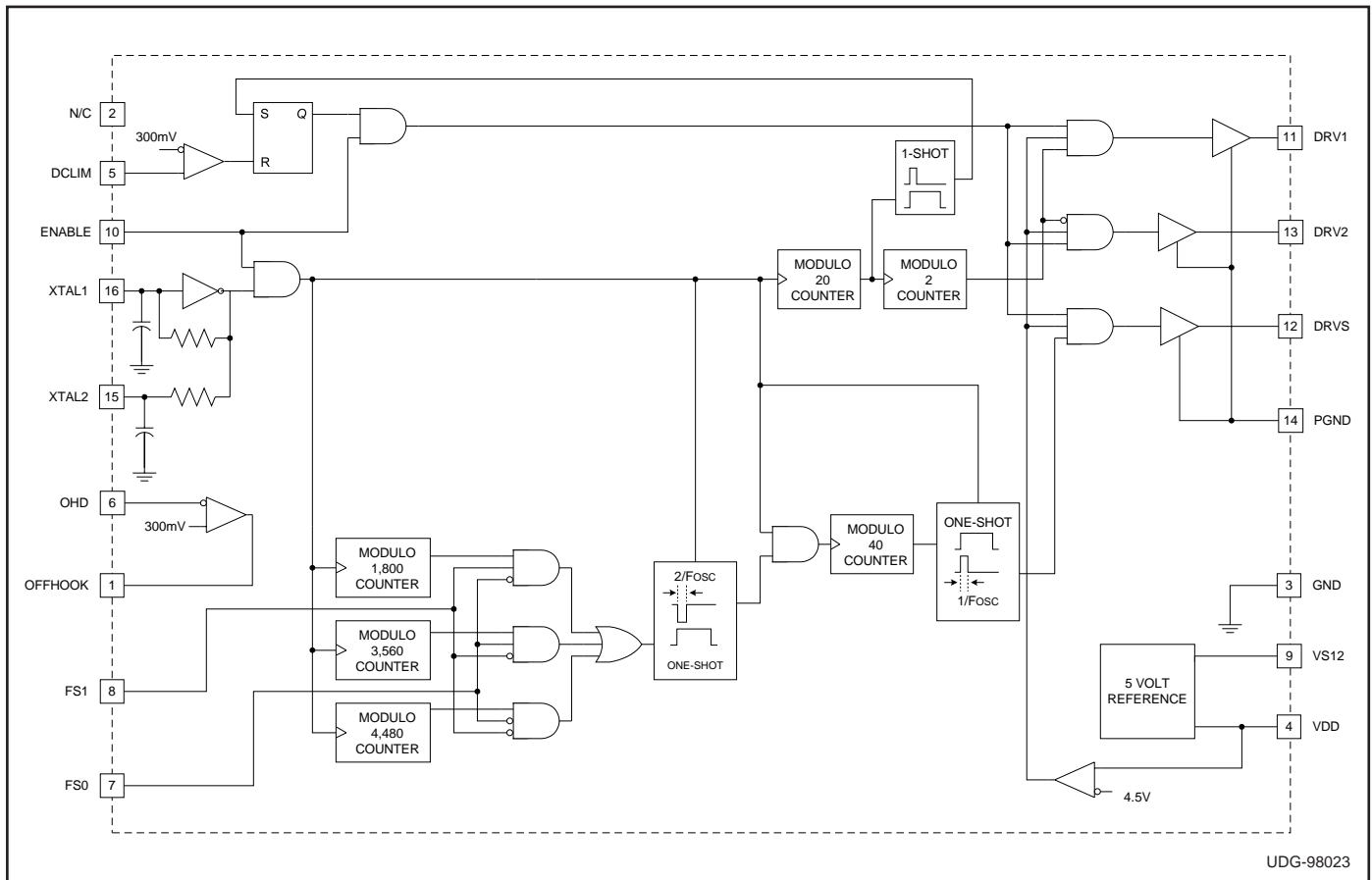
**PGND:** Return point for the output drivers. Connect to GND at a single point in the circuit.

**VDD:** Internal regulated 5V supply. This voltage is used to power all the internal precision circuits of the IC. This pin needs to be bypassed to GND with ceramic capacitor.

**VS12:** External 12V power supply for the IC. Powers VDD and provides voltage for the output drivers.

**XTAL1, XTAL2:** Pins for connecting precision Crystal to attain the accurate output frequencies. An external square-wave pulse can also be applied to XTAL2 if XTAL1 is tied to VDD/2.

**BLOCK DIAGRAM**



**APPLICATION INFORMATION**

**Power Stage Operation**

The power stage used for the UCC3752 application has two distinct switching circuits which together produce the required low frequency signal on the output. The primary side switching circuit consists of a current fed push-pull resonant circuit that generates the high frequency sinusoidal waveform across the transformer winding. The operation of this type of circuit is extensively covered in Unitrode Application notes U-141 and U-148. Resonant components  $C_{R1}$ ,  $C_{R2}$ ,  $L_R$ ,  $N$  should be chosen so that the primary and secondary resonances are well matched. Also, for the UCC3752 operation, switching frequency is fixed by crystal selection. So, the resonant components must be selected to yield a resonant frequency close enough to the switching frequency to get a low distortion sine-wave. Practically, since it is impossible to get an exact match between the two frequencies, the switching frequency should always be higher than the resonant frequency to ensure low distortion and take advantage of ZVT operation. Switches Q1 and Q2 are pulsed at 50% duty cycle at the switching frequency (89.489 kHz) determined by a crystal (3.579545 MHz) connected to the UCC3752. The input voltage for the resonant stage (typically 12V) determines the voltage

stress of Q1 and Q2. Transformer turns ratio is determined by the output voltage requirements. On the secondary side, the high frequency waveform is sampled at a predetermined frequency (e.g. 89.469 kHz) which differs from the primary switching frequency by the desired output frequency (e.g. 20 Hz). The sampling is accomplished using a bi-directional switching circuit as shown in Figure 1 and Figure 2. Figure 1 shows the sampling mechanism consisting of two back-to-back FET switches allowing current flow in both directions. The sampling can also be done with a single active switch and a full-bridge rectifier as shown in Fig. 2. The DRVS pin of the UCC3752 provides the drive signal for the sampling switch(es) and this signal is coupled through a pulse transformer. Typical pulsewidth of the sampling signal is 280nS. As a result of sampling, the resultant output signal matches the secondary voltage in amplitude and has a low output frequency desired for ring generation.

The secondary winding of the power transformer also has a tap (or a separate winding) to generate a loosely regulated DC voltage. This DC voltage can be used to offset the ring generator output. It can also be used as a power supply for supplying talk battery voltage in some applications.

APPLICATION INFORMATION (cont.)

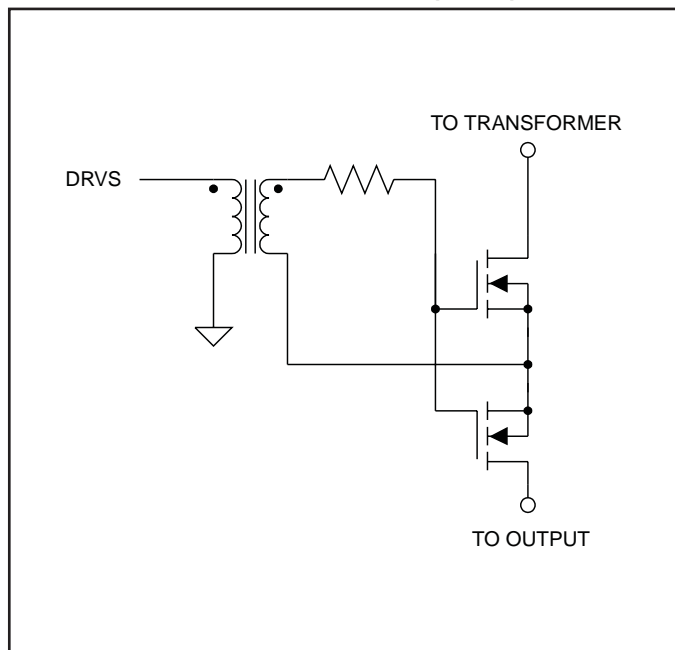


Figure 1. Sampling circuit with two FETs.

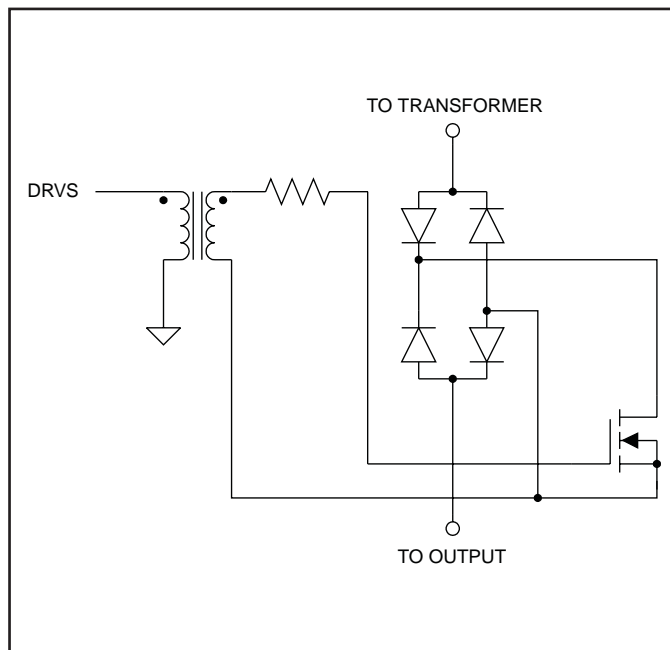


Figure 2. Sampling circuit with single FET and full-bridge rectifier.

**PACKAGING INFORMATION**

Orderable Device	Status <sup>(1)</sup>	Package Type	Package Drawing	Pins	Package Qty	Eco Plan <sup>(2)</sup>	Lead/ Ball Finish	MSL Peak Temp <sup>(3)</sup>	Samples (Requires Login)
UCC3752D	OBSOLETE	SOIC	D	16		TBD	Call TI	Call TI	Replaced by UCC3750DW
UCC3752DG4	OBSOLETE	SOIC	D	16		TBD	Call TI	Call TI	Replaced by UCC3750DWG4
UCC3752N	OBSOLETE	PDIP	N	16		TBD	Call TI	Call TI	Replaced by UCC3750N
UCC3752NG4	OBSOLETE	PDIP	N	16		TBD	Call TI	Call TI	Replaced by UCC3750NG4

<sup>(1)</sup> The marketing status values are defined as follows:

**ACTIVE:** Product device recommended for new designs.

**LIFEBUY:** TI has announced that the device will be discontinued, and a lifetime-buy period is in effect.

**NRND:** Not recommended for new designs. Device is in production to support existing customers, but TI does not recommend using this part in a new design.

**PREVIEW:** Device has been announced but is not in production. Samples may or may not be available.

**OBSOLETE:** TI has discontinued the production of the device.

<sup>(2)</sup> Eco Plan - The planned eco-friendly classification: Pb-Free (RoHS), Pb-Free (RoHS Exempt), or Green (RoHS & no Sb/Br) - please check <http://www.ti.com/productcontent> for the latest availability information and additional product content details.

**TBD:** The Pb-Free/Green conversion plan has not been defined.

**Pb-Free (RoHS):** TI's terms "Lead-Free" or "Pb-Free" mean semiconductor products that are compatible with the current RoHS requirements for all 6 substances, including the requirement that lead not exceed 0.1% by weight in homogeneous materials. Where designed to be soldered at high temperatures, TI Pb-Free products are suitable for use in specified lead-free processes.

**Pb-Free (RoHS Exempt):** This component has a RoHS exemption for either 1) lead-based flip-chip solder bumps used between the die and package, or 2) lead-based die adhesive used between the die and leadframe. The component is otherwise considered Pb-Free (RoHS compatible) as defined above.

**Green (RoHS & no Sb/Br):** TI defines "Green" to mean Pb-Free (RoHS compatible), and free of Bromine (Br) and Antimony (Sb) based flame retardants (Br or Sb do not exceed 0.1% by weight in homogeneous material)

<sup>(3)</sup> MSL, Peak Temp. -- The Moisture Sensitivity Level rating according to the JEDEC industry standard classifications, and peak solder temperature.

**Important Information and Disclaimer:** The information provided on this page represents TI's knowledge and belief as of the date that it is provided. TI bases its knowledge and belief on information provided by third parties, and makes no representation or warranty as to the accuracy of such information. Efforts are underway to better integrate information from third parties. TI has taken and continues to take reasonable steps to provide representative and accurate information but may not have conducted destructive testing or chemical analysis on incoming materials and chemicals. TI and TI suppliers consider certain information to be proprietary, and thus CAS numbers and other limited information may not be available for release.

In no event shall TI's liability arising out of such information exceed the total purchase price of the TI part(s) at issue in this document sold by TI to Customer on an annual basis.

## IMPORTANT NOTICE

Texas Instruments Incorporated and its subsidiaries (TI) reserve the right to make corrections, modifications, enhancements, improvements, and other changes to its products and services at any time and to discontinue any product or service without notice. Customers should obtain the latest relevant information before placing orders and should verify that such information is current and complete. All products are sold subject to TI's terms and conditions of sale supplied at the time of order acknowledgment.

TI warrants performance of its hardware products to the specifications applicable at the time of sale in accordance with TI's standard warranty. Testing and other quality control techniques are used to the extent TI deems necessary to support this warranty. Except where mandated by government requirements, testing of all parameters of each product is not necessarily performed.

TI assumes no liability for applications assistance or customer product design. Customers are responsible for their products and applications using TI components. To minimize the risks associated with customer products and applications, customers should provide adequate design and operating safeguards.

TI does not warrant or represent that any license, either express or implied, is granted under any TI patent right, copyright, mask work right, or other TI intellectual property right relating to any combination, machine, or process in which TI products or services are used. Information published by TI regarding third-party products or services does not constitute a license from TI to use such products or services or a warranty or endorsement thereof. Use of such information may require a license from a third party under the patents or other intellectual property of the third party, or a license from TI under the patents or other intellectual property of TI.

Reproduction of TI information in TI data books or data sheets is permissible only if reproduction is without alteration and is accompanied by all associated warranties, conditions, limitations, and notices. Reproduction of this information with alteration is an unfair and deceptive business practice. TI is not responsible or liable for such altered documentation. Information of third parties may be subject to additional restrictions.

Resale of TI products or services with statements different from or beyond the parameters stated by TI for that product or service voids all express and any implied warranties for the associated TI product or service and is an unfair and deceptive business practice. TI is not responsible or liable for any such statements.

TI products are not authorized for use in safety-critical applications (such as life support) where a failure of the TI product would reasonably be expected to cause severe personal injury or death, unless officers of the parties have executed an agreement specifically governing such use. Buyers represent that they have all necessary expertise in the safety and regulatory ramifications of their applications, and acknowledge and agree that they are solely responsible for all legal, regulatory and safety-related requirements concerning their products and any use of TI products in such safety-critical applications, notwithstanding any applications-related information or support that may be provided by TI. Further, Buyers must fully indemnify TI and its representatives against any damages arising out of the use of TI products in such safety-critical applications.

TI products are neither designed nor intended for use in military/aerospace applications or environments unless the TI products are specifically designated by TI as military-grade or "enhanced plastic." Only products designated by TI as military-grade meet military specifications. Buyers acknowledge and agree that any such use of TI products which TI has not designated as military-grade is solely at the Buyer's risk, and that they are solely responsible for compliance with all legal and regulatory requirements in connection with such use.

TI products are neither designed nor intended for use in automotive applications or environments unless the specific TI products are designated by TI as compliant with ISO/TS 16949 requirements. Buyers acknowledge and agree that, if they use any non-designated products in automotive applications, TI will not be responsible for any failure to meet such requirements.

Following are URLs where you can obtain information on other Texas Instruments products and application solutions:

<b>Products</b>		<b>Applications</b>	
Amplifiers	<a href="http://amplifier.ti.com">amplifier.ti.com</a>	Audio	<a href="http://www.ti.com/audio">www.ti.com/audio</a>
Data Converters	<a href="http://dataconverter.ti.com">dataconverter.ti.com</a>	Automotive	<a href="http://www.ti.com/automotive">www.ti.com/automotive</a>
DLP® Products	<a href="http://www.dlp.com">www.dlp.com</a>	Communications and Telecom	<a href="http://www.ti.com/communications">www.ti.com/communications</a>
DSP	<a href="http://dsp.ti.com">dsp.ti.com</a>	Computers and Peripherals	<a href="http://www.ti.com/computers">www.ti.com/computers</a>
Clocks and Timers	<a href="http://www.ti.com/clocks">www.ti.com/clocks</a>	Consumer Electronics	<a href="http://www.ti.com/consumer-apps">www.ti.com/consumer-apps</a>
Interface	<a href="http://interface.ti.com">interface.ti.com</a>	Energy	<a href="http://www.ti.com/energy">www.ti.com/energy</a>
Logic	<a href="http://logic.ti.com">logic.ti.com</a>	Industrial	<a href="http://www.ti.com/industrial">www.ti.com/industrial</a>
Power Mgmt	<a href="http://power.ti.com">power.ti.com</a>	Medical	<a href="http://www.ti.com/medical">www.ti.com/medical</a>
Microcontrollers	<a href="http://microcontroller.ti.com">microcontroller.ti.com</a>	Security	<a href="http://www.ti.com/security">www.ti.com/security</a>
RFID	<a href="http://www.ti-rfid.com">www.ti-rfid.com</a>	Space, Avionics & Defense	<a href="http://www.ti.com/space-avionics-defense">www.ti.com/space-avionics-defense</a>
RF/IF and ZigBee® Solutions	<a href="http://www.ti.com/lprf">www.ti.com/lprf</a>	Video and Imaging	<a href="http://www.ti.com/video">www.ti.com/video</a>
		Wireless	<a href="http://www.ti.com/wireless-apps">www.ti.com/wireless-apps</a>

Mailing Address: Texas Instruments, Post Office Box 655303, Dallas, Texas 75265  
Copyright © 2010, Texas Instruments Incorporated