

M A Z D A

ESU.866

ESU.866

HALF WAVE MERCURY VAPOUR RECTIFIER

RATING

Filament Voltage (volts)	V_f	2.5
Filament Current (amps)	I_f	5.0
Maximum Peak Anode Current (amps)	$I_a(pk)$	1.0
Maximum Peak Inverse Voltage (volts)	P.I.V (max)	10,000
Maximum Mean Anode Current (amps)	$I_a(av)max$	0.25
Approximate Voltage Drop (volts)	V_{ir}	15
Cathode Delay Time (secs)	t	60
Ambient Temperature (C°)		20-60

DIMENSIONS

Maximum Overall Length (mm)	170
Maximum Diameter (mm)	66
Approximate Nett weight (ozs)	3
Approximate Packed Weight (lbs)	1½
Approximate Packed Export Weight	2

MOUNTING POSITION Vertical

BASE

U.X. 4 pin. This valve can also be supplied fitted with an E.S. base, in which case it is known as the ESU.866/ES.

TOP CAP Anode

SPECIAL NOTE

When first placed into operation it is essential that the filament is run at the rated value for 15 minutes without any anode voltage being applied.

RG.4857 K/1

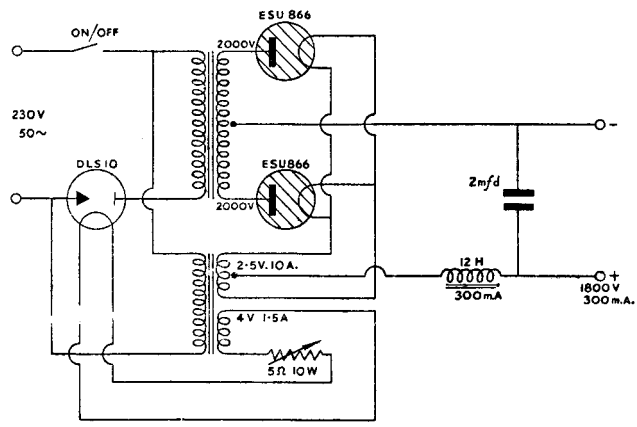
ESU.866

MAZDA

ESU.866

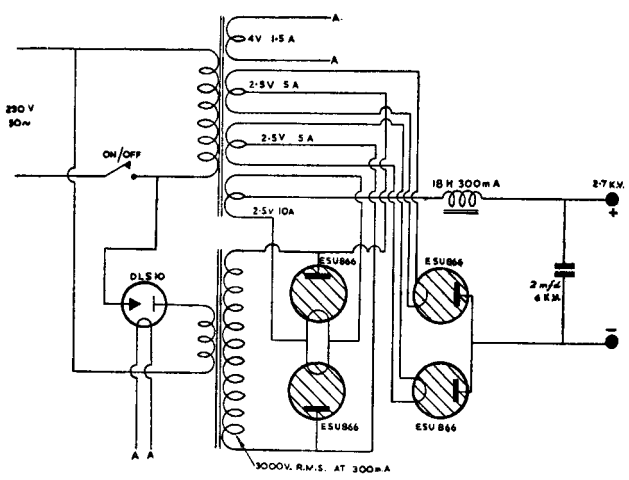
HALF WAVE MERCURY VAPOUR RECTIFIER

FULL WAVE CIRCUIT TO SUPPLY 1.8 KV AT 300 mA.



BRIDGE RECTIFIER CIRCUIT TO SUPPLY 2.7 K.V. AT 300 m.A.

RG.4857L/1



October 1953
 [Redacted]

RADIO DIVISION

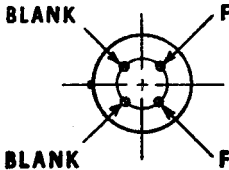
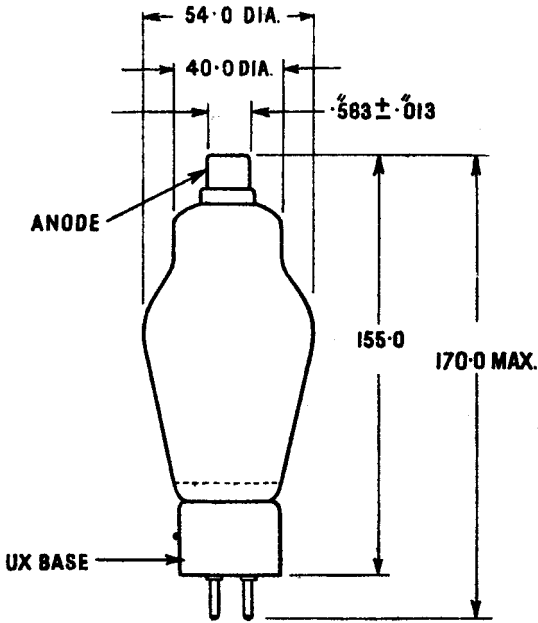
Issue 2/5
 [Redacted]

THE EDISON SWAN ELECTRIC COMPANY LTD.

ESU.866

MAZDA ESU.866

HALF WAVE MERCURY VAPOUR RECTIFIER



UNDERSIDE VIEW OF BASE

ALL DIMENSIONS IN M.M. UNLESS OTHERWISE STATED

March 1953

Issue 2/5

RADIO DIVISION

THE EDISON SWAN ELECTRIC COMPANY LTD.