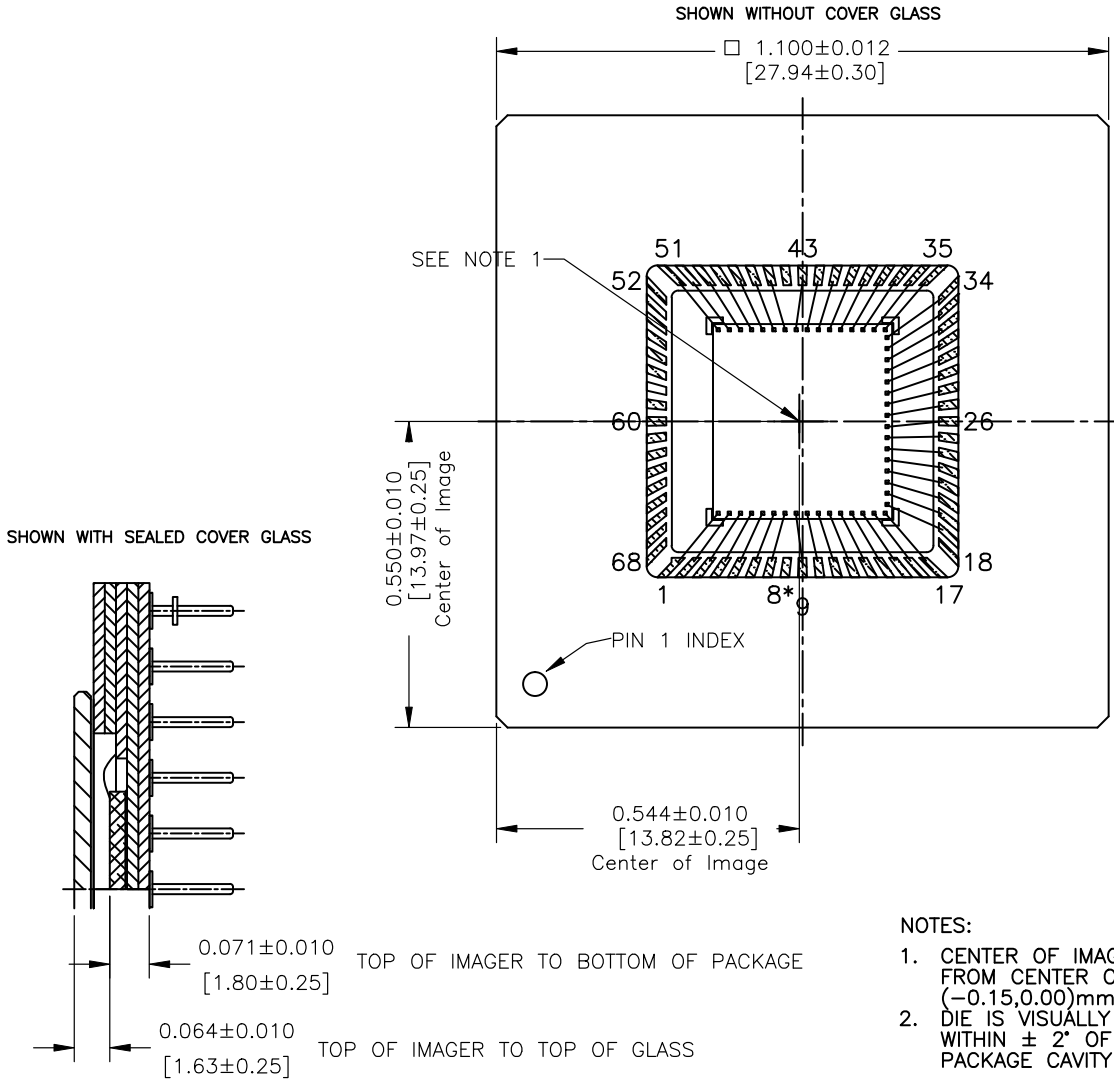


CPGA68, 27.94x27.94
CASE 107EP
ISSUE O

DATE 30 JUL 2014



DOCUMENT NUMBER:	98AON88264F	Electronic versions are uncontrolled except when accessed directly from the Document Repository. Printed versions are uncontrolled except when stamped "CONTROLLED COPY" in red.
STATUS:	ON SEMICONDUCTOR STANDARD	
REFERENCE:		
DESCRIPTION:	CPGA68, 27.94x27.94	PAGE 2 OF 3

