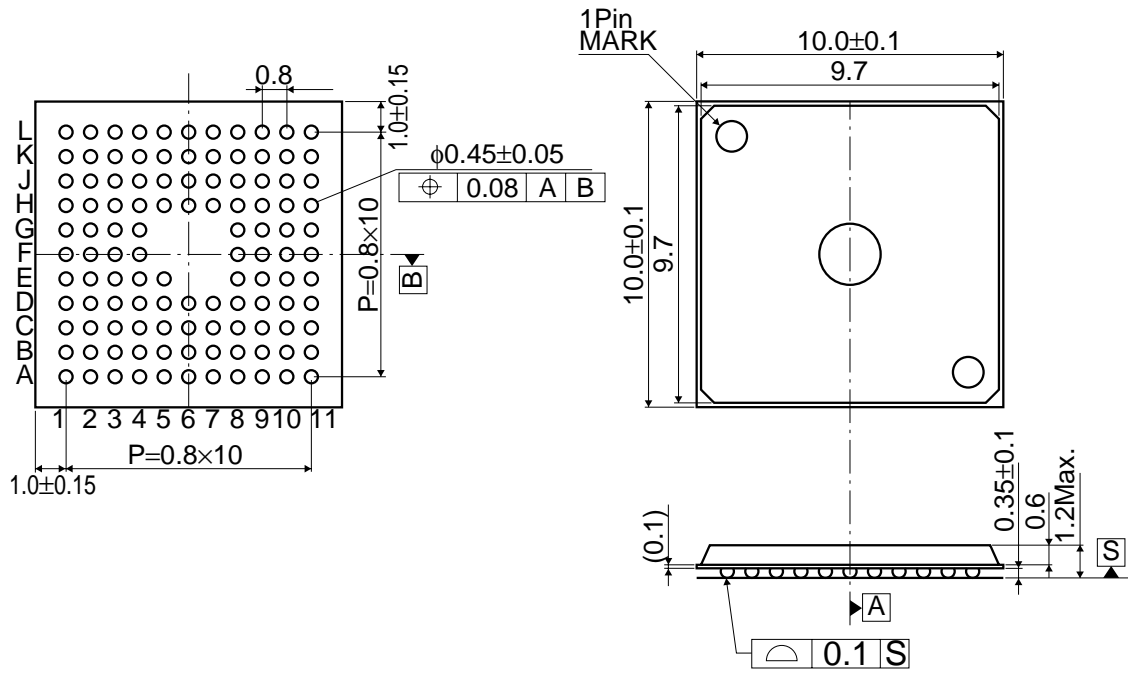


(Units : mm)

• FBGA112A (CSP TYPE1)



* The contents described herein are subject to change without notice.