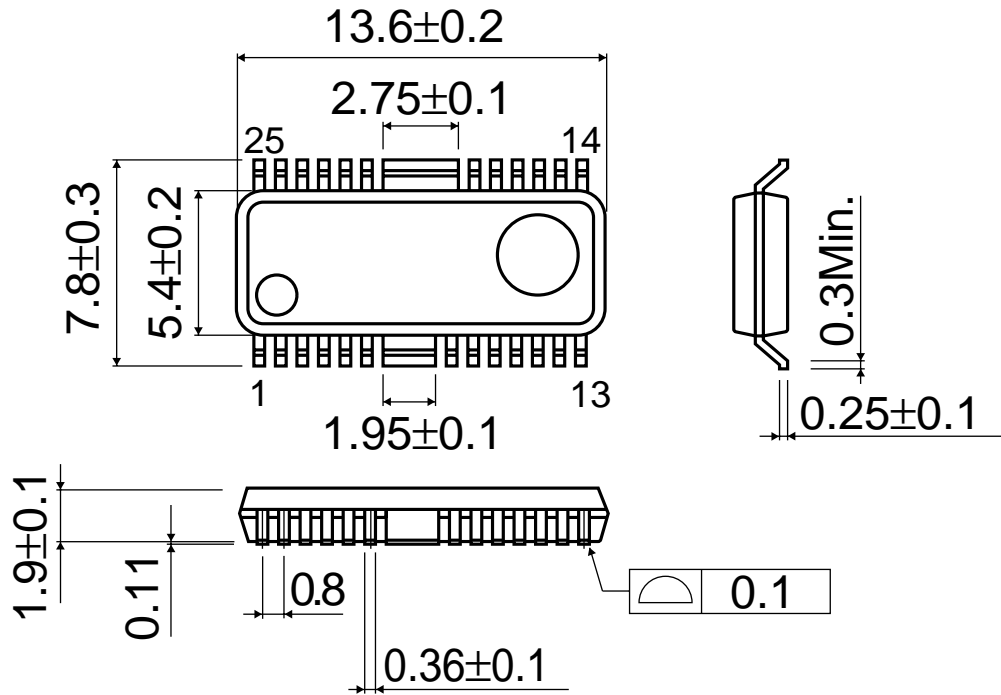


(Units : mm)

• HSOP25



* The contents described herein are subject to change without notice.