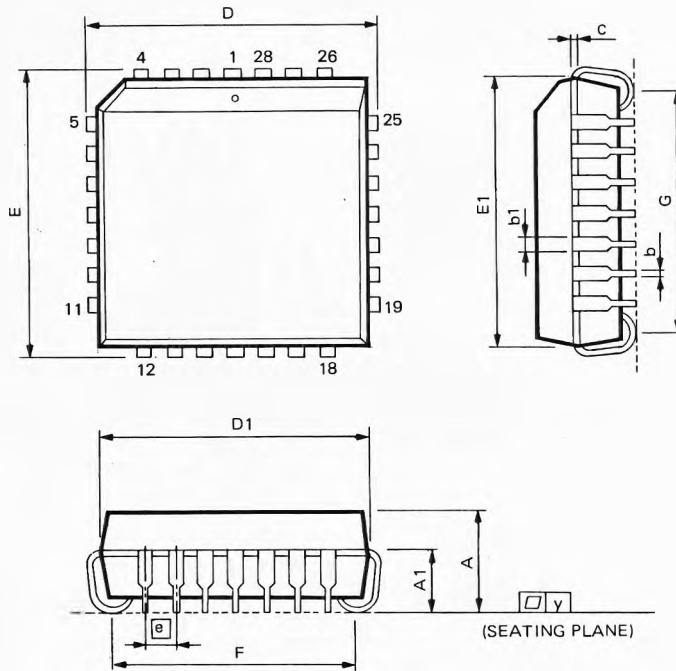


PLCC 28L Outline Dimension


| Symbol | Dimensions in inch | Dimensions in mm |
|--------|--------------------------|--------------------------|
| A | 0.172 ± 0.008 | 4.369 ± 0.203 |
| A1 | 0.100 ± 0.008 | 2.540 ± 0.203 |
| b | 0.018 + 0.004 - 0.002 | 0.457 + 0.102 - 0.051 |
| b1 | 0.028 + 0.004 - 0.002 | 0.711 + 0.102 - 0.051 |
| c | 0.010 + 0.004 - 0.002 | 0.254 + 0.102 - 0.051 |
| D | 0.490 ± 0.005 | 12.446 ± 0.127 |
| D1 | 0.453 (0.485 Max.) | 11.506 (12.319 Max.) |
| e | 0.050 ± 0.006 | 1.270 ± 0.152 |
| E | 0.490 ± 0.005 | 12.446 ± 0.127 |
| E1 | 0.453 (0.485 Max.) | 11.506 (12.319 Max.) |
| F | 0.410 ± 0.020 | 10.414 ± 0.508 |
| G | 0.410 ± 0.020 | 10.414 ± 0.508 |
| y | 0.006 Max. | 0.152 Max. |