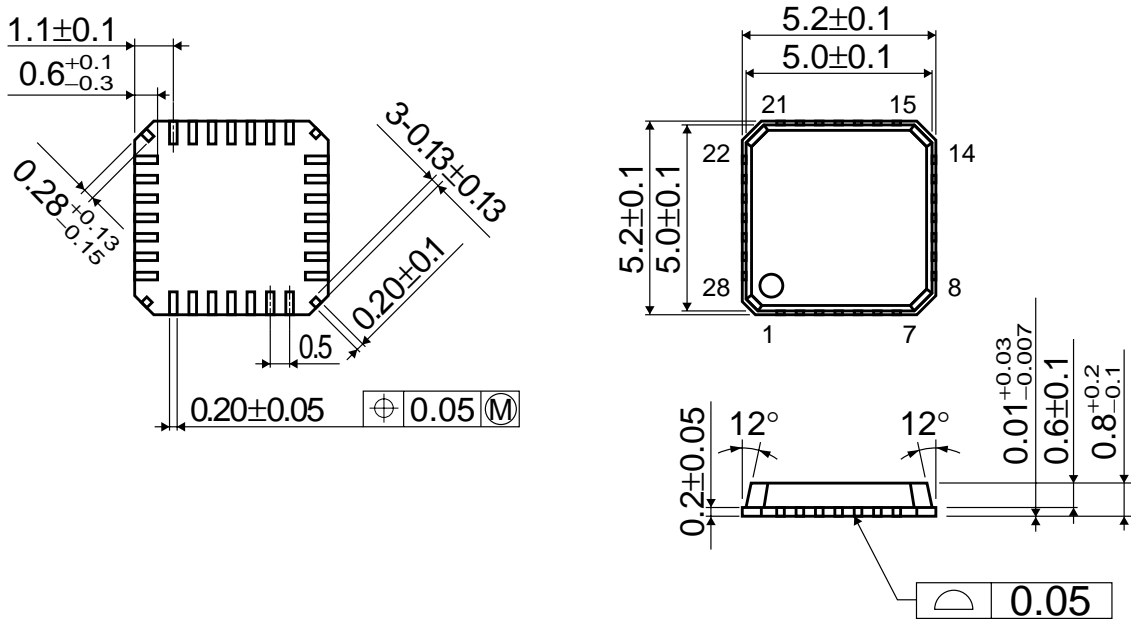


(Units : mm)

• QFN28V



\* The contents described herein are subject to change without notice.