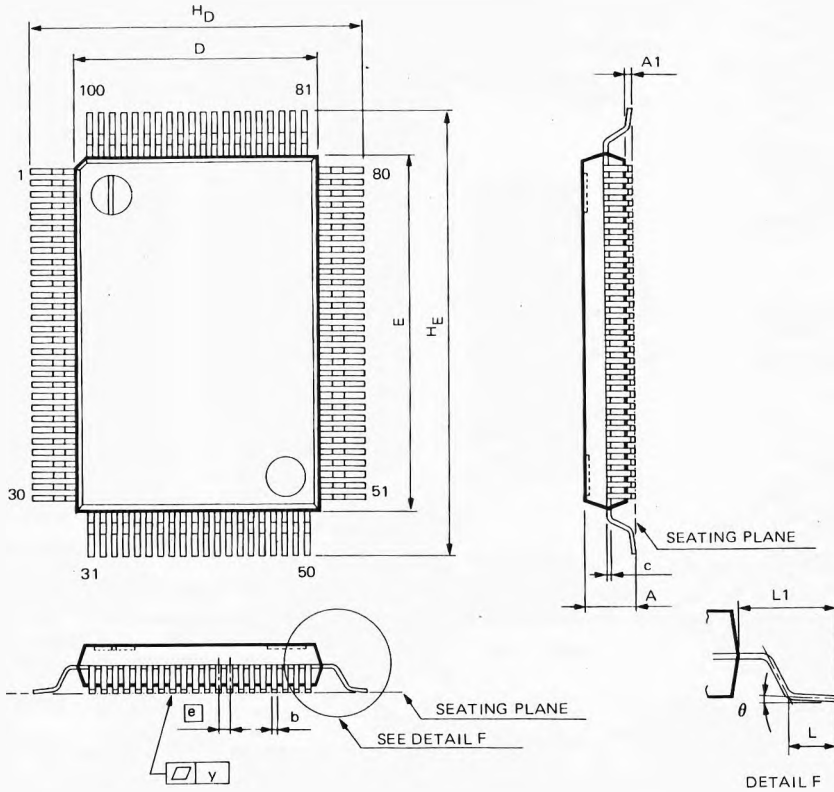


**QFP 100L Outline Dimension**


Symbol	Dimensions in inch	Dimensions in mm
A	0.120 ± 0.010	3.048 ± 0.254
A1	0.008 ± 0.004	0.203 ± 0.102
b	0.012 <sup>+ 0.004</sup> - 0.002	0.305 <sup>+ 0.102</sup> - 0.051
c	0.006 <sup>+ 0.004</sup> - 0.002	0.152 <sup>+ 0.102</sup> - 0.051
D	0.551 (0.576 Max.)	14.000 (14.630 Max.)
E	0.787 (0.812 Max.)	20.000 (20.625 Max.)
e	0.026 ± 0.006	0.650 ± 0.152
$H_D$	0.740 ± 0.012	18.796 ± 0.305
$H_E$	0.976 ± 0.012	24.790 ± 0.305
L	0.047 ± 0.012	1.194 ± 0.305
L1	0.095 ± 0.012	2.413 ± 0.305
y	0.006 Max.	0.152 Max.
$\theta$	0° ~ 8°	0° ~ 8°