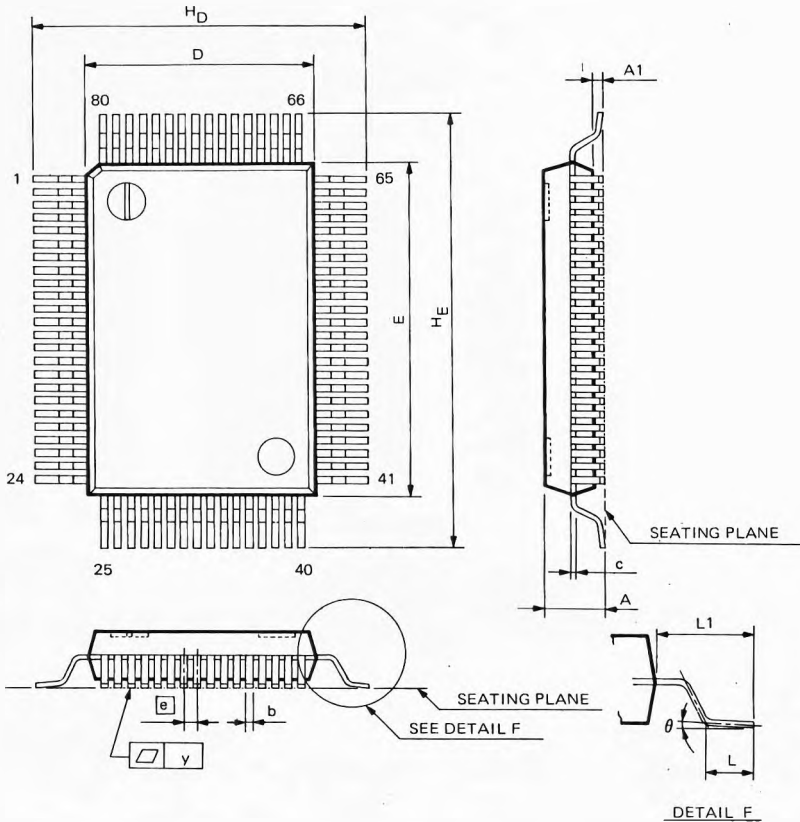


QFP 80L Outline Dimension


Symbol	Dimensions in inch	Dimensions in mm
A	0.120 ± 0.010	3.048 ± 0.254
A1	0.008 ± 0.004	0.203 ± 0.102
b	$0.014 \begin{matrix} + 0.004 \\ - 0.002 \end{matrix}$	$0.351 \begin{matrix} + 0.102 \\ - 0.051 \end{matrix}$
c	$0.006 \begin{matrix} + 0.004 \\ - 0.002 \end{matrix}$	$0.152 \begin{matrix} + 0.102 \\ - 0.051 \end{matrix}$
D	$0.551 (0.576 \text{ Max.})$	$14.000 (14.630 \text{ Max.})$
E	$0.787 (0.812 \text{ Max.})$	$20.000 (20.625 \text{ Max.})$
[e]	0.032 ± 0.006	0.800 ± 0.152
H_D	0.740 ± 0.012	18.796 ± 0.305
H_E	0.976 ± 0.012	24.790 ± 0.305
L	0.047 ± 0.012	1.194 ± 0.305
L1	0.095 ± 0.012	2.413 ± 0.305
y	0.006 Max.	0.152 Max.
θ	$0^\circ \sim 8^\circ$	$0^\circ \sim 8^\circ$