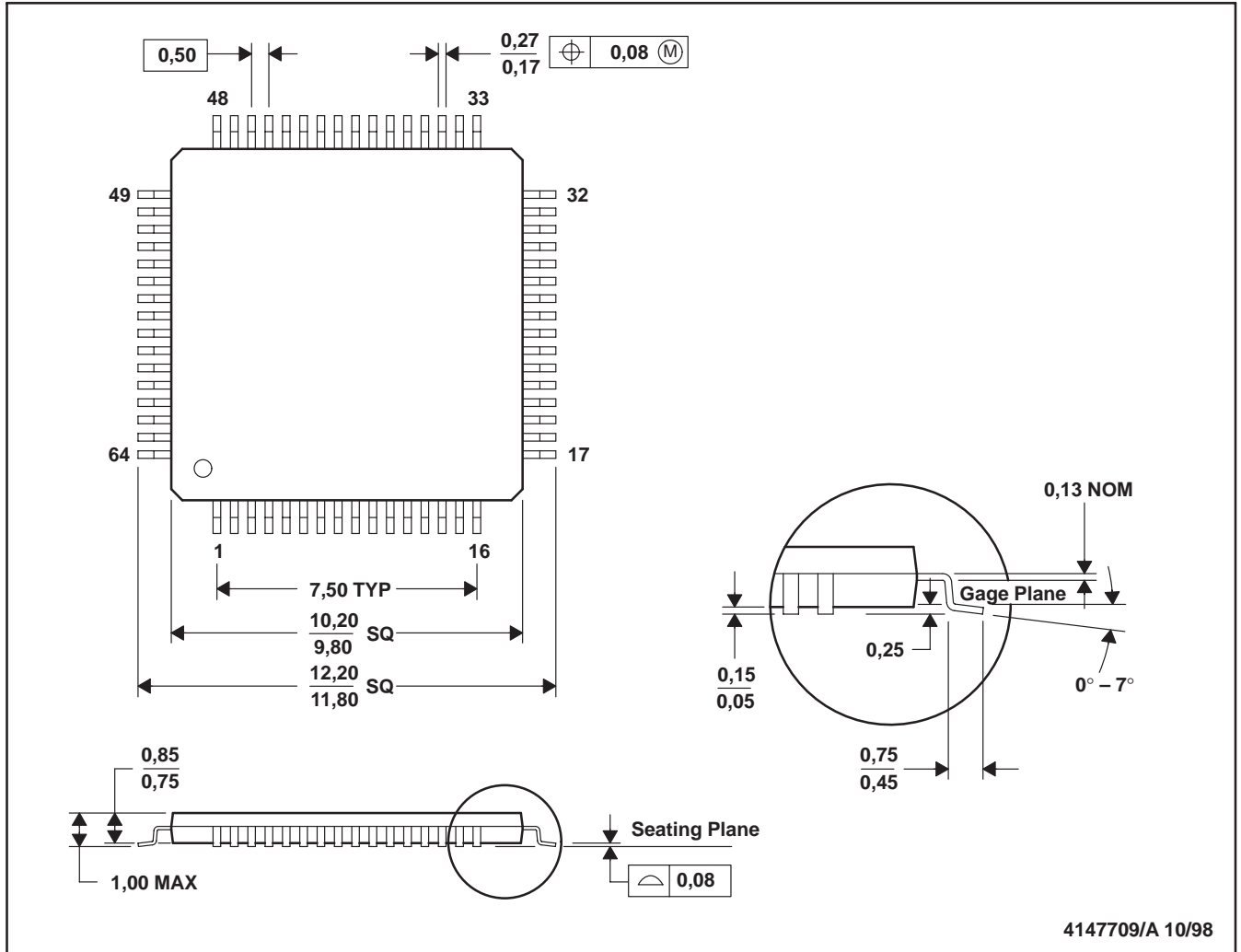


RCE (S-PQFP-G64)

PLASTIC QUAD FLATPACK



4147709/A 10/98

- NOTES: A. All linear dimensions are in millimeters.
 B. This drawing is subject to change without notice.