

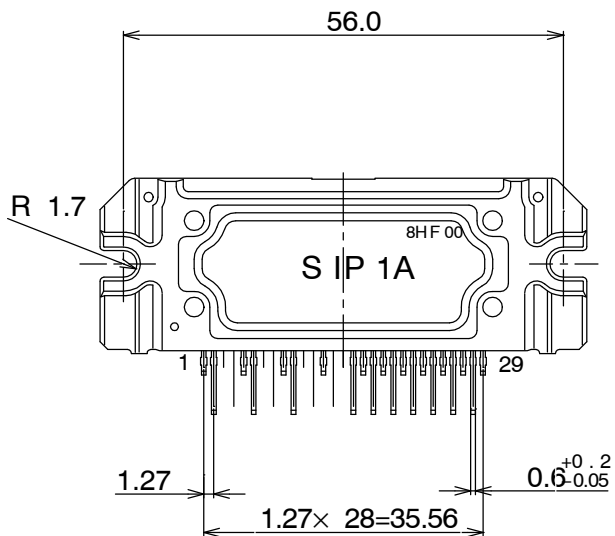
MECHANICAL CASE OUTLINE
PACKAGE DIMENSIONS

ON Semiconductor®

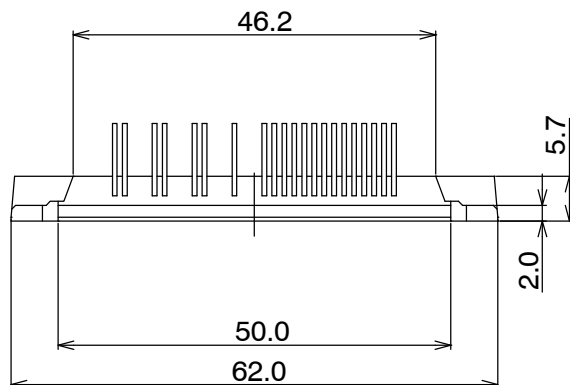
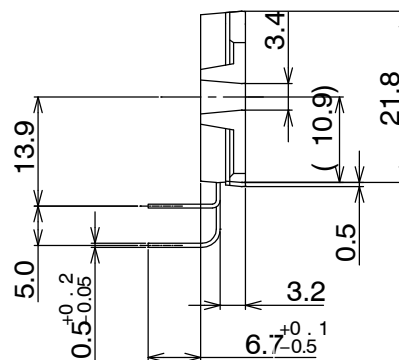


SIP29 56x21.8
CASE 127BW
ISSUE O

DATE 30 APR 2012



missing pin : 3,4,7,8,11,12,14,15



DOCUMENT NUMBER:	98AON79811E	Electronic versions are uncontrolled except when accessed directly from the Document Repository. Printed versions are uncontrolled except when stamped "CONTROLLED COPY" in red.
STATUS:	ON SEMICONDUCTOR STANDARD	
NEW STANDARD:		
DESCRIPTION:	SIP29 56X21.8	PAGE 1 OF 2

