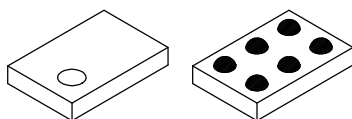


MECHANICAL CASE OUTLINE

PACKAGE DIMENSIONS

ON Semiconductor®



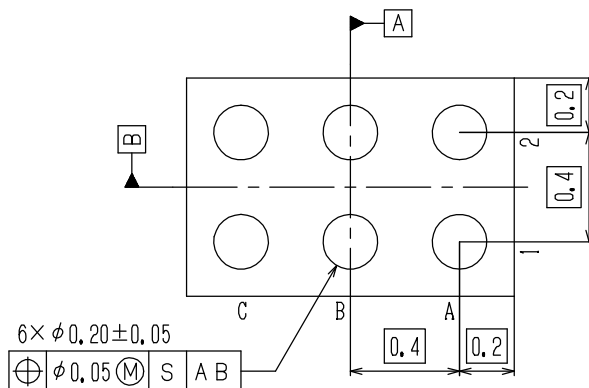
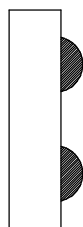
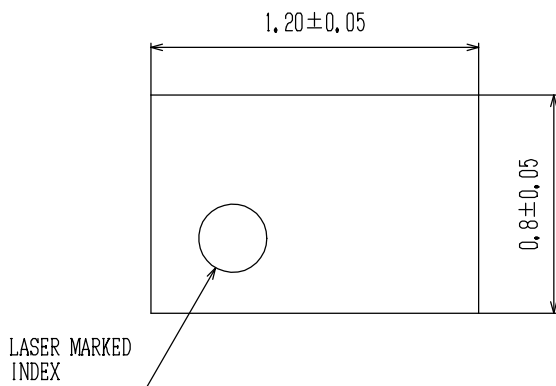
WLCSP6 0.8x1.2 / WLFCP6
CASE 567FT
ISSUE O

DATE 31 MAY 2012

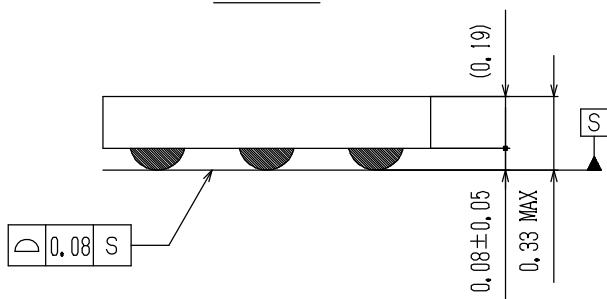
TOP VIEW

SIDE VIEW

BOTTOM VIEW



SIDE VIEW



DOCUMENT NUMBER:	98AON80985E	Electronic versions are uncontrolled except when accessed directly from the Document Repository. Printed versions are uncontrolled except when stamped "CONTROLLED COPY" in red.
STATUS:	ON SEMICONDUCTOR STANDARD	
NEW STANDARD:		
DESCRIPTION:	WLCSP6 0.8X1.2 / WLFCP6	PAGE 1 OF 2

