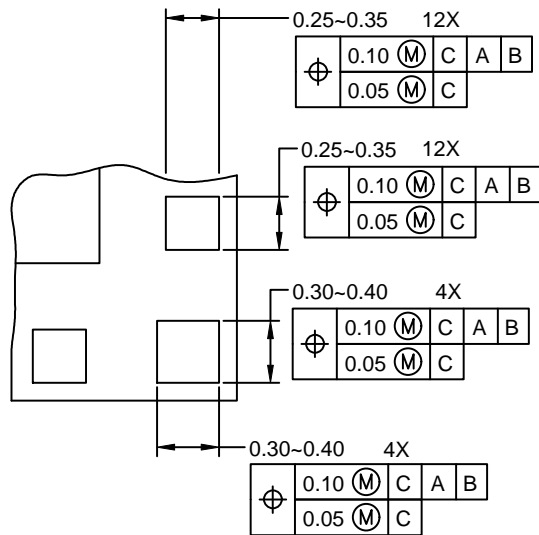
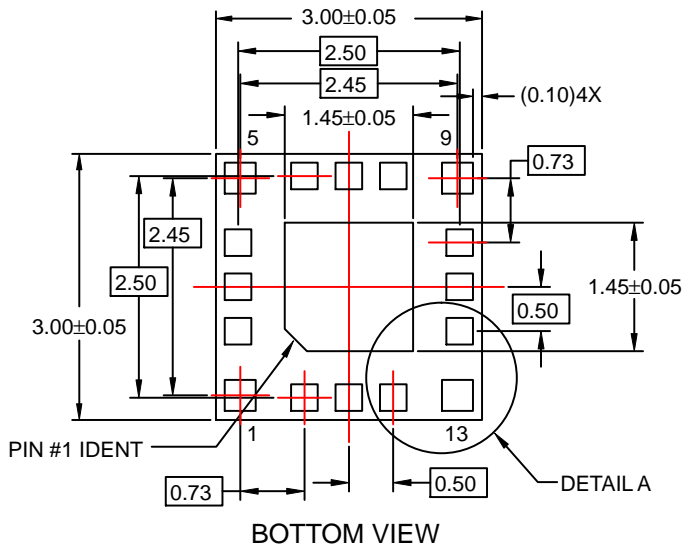
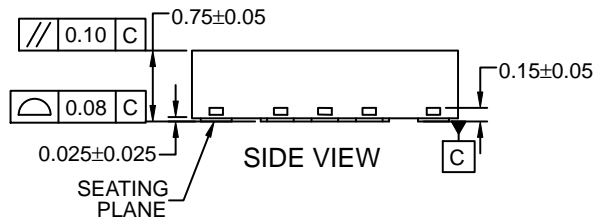
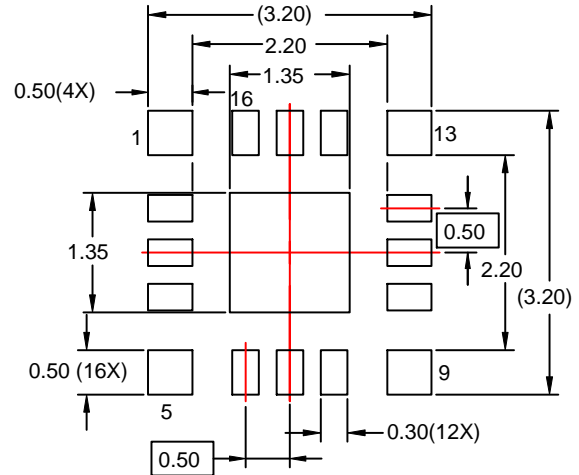
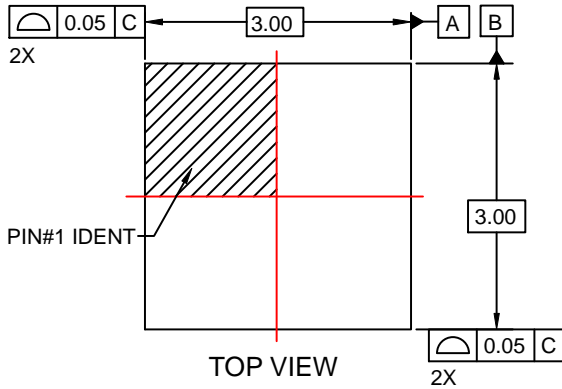


WQFN16 3x3, 0.5P
CASE 510CF
ISSUE O

DATE 31 AUG 2016



- NOTES:
- A. SIMILAR TO JEDEC REGISTRATION MO-217.
 - B. DIMENSIONS ARE IN MILLIMETERS.
 - C. DIMENSIONS AND TOLERANCES PER ASME Y14.5M, 2009.
 - D. LAND PATTERN RECOMMENDATION IS EXISTING INDUSTRY LAND PATTERN.

DETAIL A
SCALE : 2X

DOCUMENT NUMBER:	98AON13647G	Electronic versions are uncontrolled except when accessed directly from the Document Repository. Printed versions are uncontrolled except when stamped "CONTROLLED COPY" in red.
STATUS:	ON SEMICONDUCTOR STANDARD	
NEW STANDARD:		
DESCRIPTION:	WQFN16 3X3, 0.5P	PAGE 1 OF 2

