

TRIACS

- GLASS PASSIVATED CHIP
- I_{GT} SPECIFIED IN FOUR QUADRANTS

ADVANTAGES

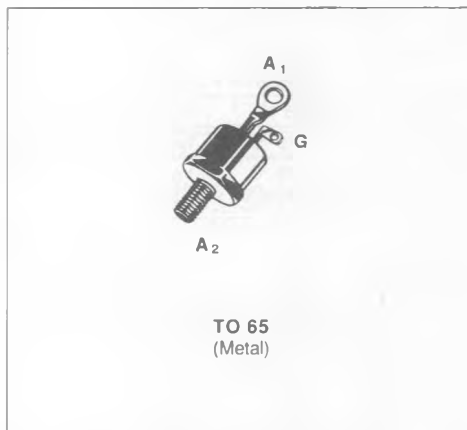
- EXCELLENT $(dv/dt)_c : > 10 \text{ V}/\mu\text{s}$
- METALLIC ENCAPSULATION GIVES AN EXCELLENT THERMAL IMPEDANCE AND HIGH RELIABILITY CONSTRUCTION

APPLICATIONS

- MOTOR CONTROL
- HEATING CONTROL
- LIGHT DIMMER

DESCRIPTION

Power triacs suited for use on 220 V and 380 V main.


ABSOLUTE RATINGS (limiting values)

Symbol	Parameter		Value	Unit
$I_{T(RMS)}$	RMS on-state Current (360° conduction angle)	$T_C = 75^\circ\text{C}$	60	A
I_{TSM}	Non Repetitive Surge Peak on-state Current (T_j initial = 25 °C - Half sine wave)	$t = 8.3 \text{ ms}$	550	A
		$t = 10 \text{ ms}$	500	
I^2t	I^2t Value for Fusing	$t = 10 \text{ ms}$	1250	A^2s
di/dt	Critical Rate of Rise of on-state Current (1)	Repetitive $F = 50 \text{ Hz}$	50	$\text{A}/\mu\text{s}$
		Non Repetitive	300	
T_{stg} T_I	Storage and Operating Junction Temperature Range		- 40 to 150	$^\circ\text{C}$
			- 40 to 125	$^\circ\text{C}$

Symbol	Parameter	TGAL					Unit
		602	604	606	608	610	
V_{DRM}	Repetitive Peak off-state Voltage (2)	200	400	600	800	1000	V

(1) $I_G = 1.5 \text{ A}$ $di/dt = 1 \text{ A}/\mu\text{s}$
 (2) $T_j = 125^\circ\text{C}$.

THERMAL RESISTANCES

Symbol	Parameter	Value	Unit
$R_{th (c-h)}$	Contact (case-heatsink) for Recommended Stud Torque	0.3	$^\circ\text{C}/\text{W}$
$R_{th (j-c)} \text{ DC}$	Junction to Case for DC	0.66	$^\circ\text{C}/\text{W}$
$R_{th (j-c)} \text{ AC}$	Junction to Case for 360 ° Conduction Angle ($F = 50 \text{ Hz}$)	0.5	$^\circ\text{C}/\text{W}$

GATE CHARACTERISTICS (maximum values)

$P_{GM} = 40 \text{ W}$ ($t_p = 10 \mu\text{s}$)

$I_{GM} = 6 \text{ A}$ ($t_p = 10 \mu\text{s}$)

$P_{G(AV)} = 1 \text{ V}$

$V_{GM} = 16 \text{ V}$ ($t_p = 10 \mu\text{s}$)

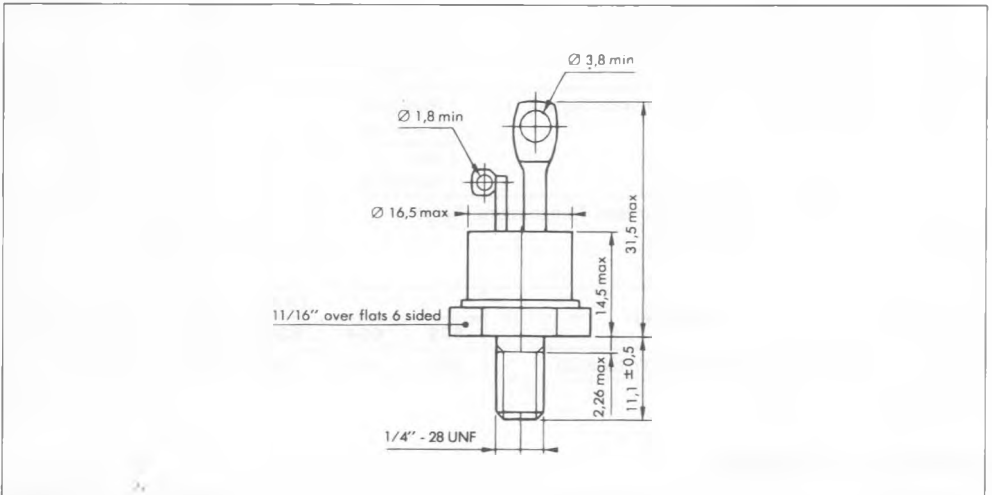
ELECTRICAL CHARACTERISTICS

Symbol	Test Conditions	Quadrants	Min.	Typ.	Max.	Unit
I_{GT}	$T_J = 25 \text{ }^\circ\text{C}$ $V_D = 12 \text{ V}$ $R_L = 33 \text{ } \Omega$ Pulse Duration > 20 μs	I-III			100	mA
		II-IV			150	
V_{GT}	$T_J = 25 \text{ }^\circ\text{C}$ $V_D = 12 \text{ V}$ $R_L = 33 \text{ } \Omega$ Pulse Duration > 20 μs	I-II-III-IV			1.5	V
V_{GD}	$T_J = 125 \text{ }^\circ\text{C}$ $V_D = V_{DRM}$ $R_L = 3.3 \text{ k}\Omega$	I-II-III-IV	0.2			V
I_H^*	$T_J = 25 \text{ }^\circ\text{C}$ $I_T = 500 \text{ mA}$ Gate Open				100	mA
I_L	$T_J = 25 \text{ }^\circ\text{C}$ $V_D = 12 \text{ V}$ $I_G = 300 \text{ mA}$ Pulse Duration > 20 μs	I-III-IV		60		mA
		II		120		
V_{TM}^*	$T_J = 25 \text{ }^\circ\text{C}$ $I_{TM} = 100 \text{ A}$ $t_p = 10 \text{ ms}$				2	V
I_{DRM}^*	$T_J = 125 \text{ }^\circ\text{C}$ V_{DRM} Specified				10	mA
dv/dt^*	$T_J = 125 \text{ }^\circ\text{C}$ Gate Open Linear Slope up to $V_D = 67\% V_{DRM}$		250			V/ μs
$(dv/dt)_c^*$	$T_C = 75 \text{ }^\circ\text{C}$ $V_D = V_{DRM}$ $I_T = 100 \text{ A}$ $(di/dt)_c = 26.7 \text{ A/ms}$		10			V/ μs
t_{gt}	$T_J = 25 \text{ }^\circ\text{C}$ $V_D = V_{DRM}$ $I_T = 100 \text{ A}$ $I_G = 500 \text{ mA}$ $di_G/dt = 3.5 \text{ A}/\mu\text{s}$	I-II-III-IV		3		μs

* For either polarity of electrode A₂ voltage with reference to electrode A₁.

PACKAGE MECHANICAL DATA

TO 65 Metal



Cooling method : by conduction (method C)
 Marking : type number
 Weight : 19 g without accessories
 Polarity : Electrode A₂ to case
 Stud torque : 3.5 mAN min - 3.8 mAN max.

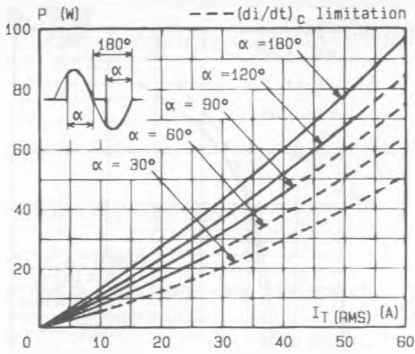


Fig. 1 - Maximum mean power dissipation versus RMS on-state current ($F = 60 \text{ Hz}$).

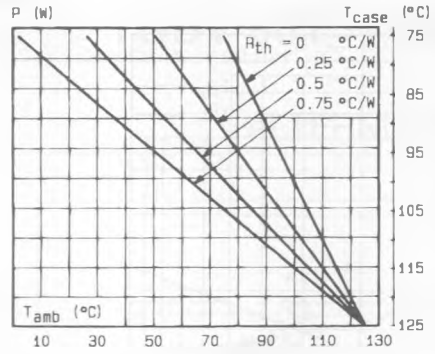


Fig. 2 - Correlation between maximum mean power dissipation and maximum allowable temperatures (T_{amb} and T_{case}) for different thermal resistances heatsink + contact.

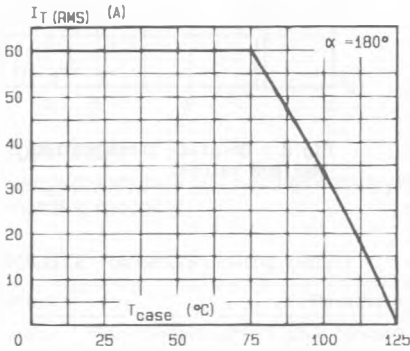


Fig. 3 - RMS on-state current versus case temperature.

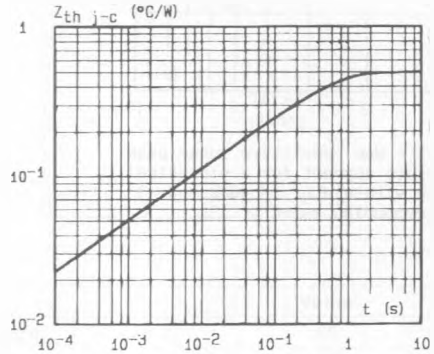


Fig. 4 - Thermal transient impedance junction to case versus pulse duration.

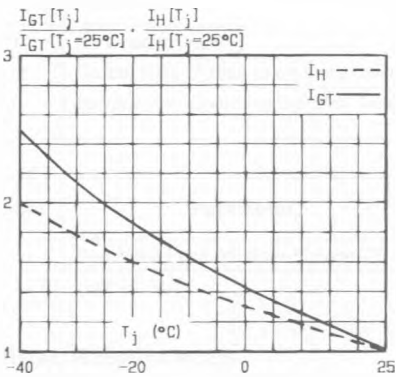


Fig. 5 - Relative variation of gate trigger current and holding current versus junction temperature.

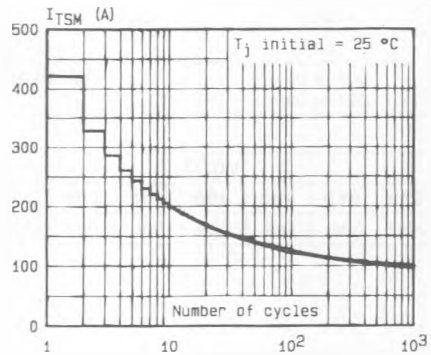


Fig. 6 - Non repetitive surge peak on-state current versus number of cycles.

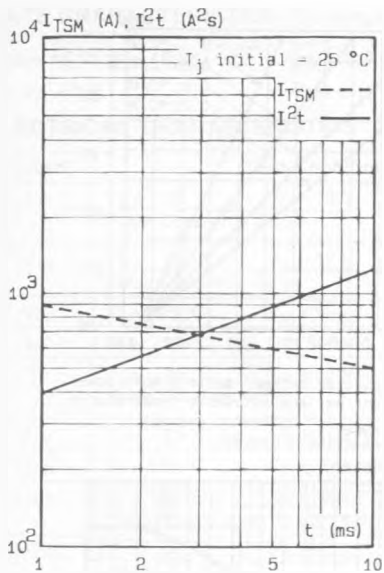


Fig.7 - Non repetitive surge peak on-state current for a sinusoidal pulse with width: $t < 10ms$, and corresponding value of I^2t .

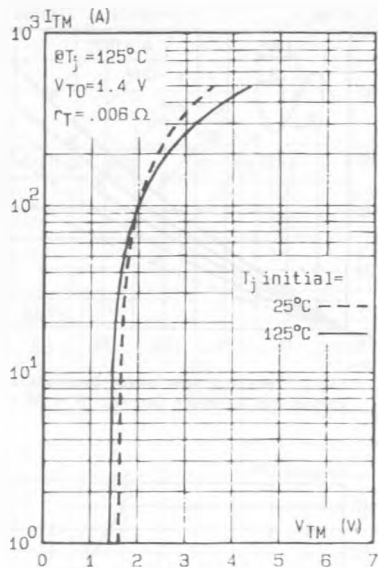


Fig.8 - On-state characteristic (maximum values).