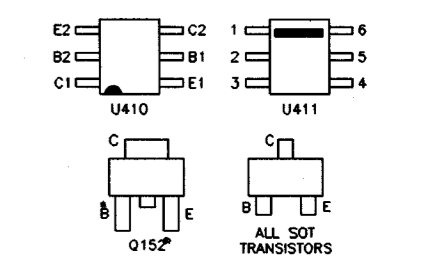
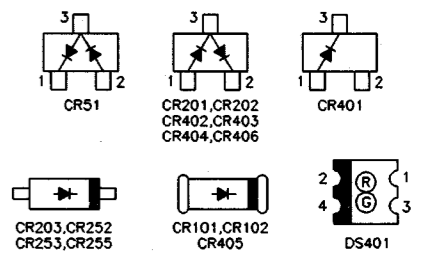
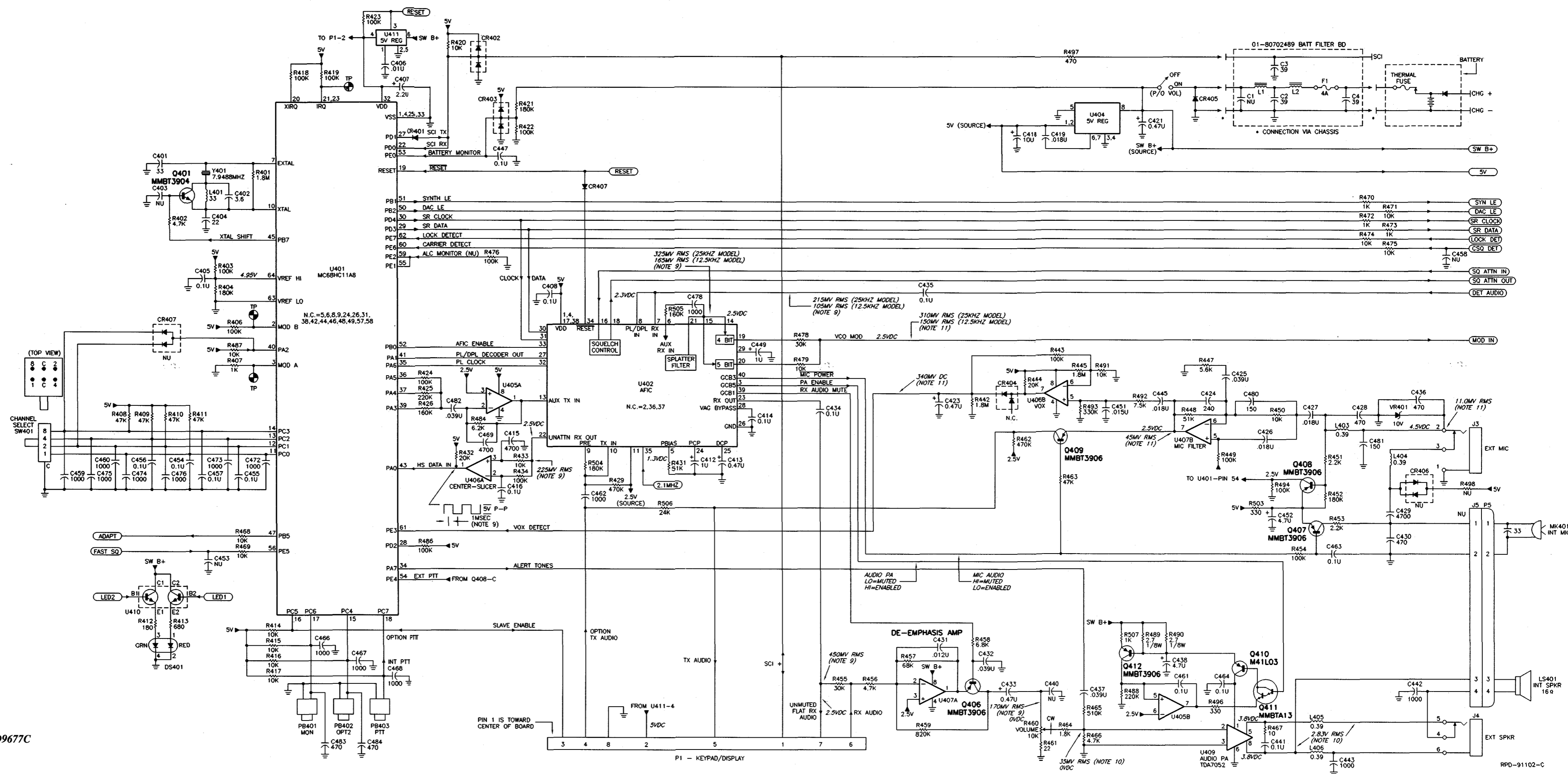


- NOTES:
- UNLESS OTHERWISE INDICATED, RESISTOR VALUES ARE IN OHMS, CAPACITOR VALUES ARE IN PICOFARADS, INDUCTOR VALUES ARE IN MICROHENRIES.
 - NON-POLARIZED CAPACITORS ARE CHIP-TYPE UNLESS OTHERWISE INDICATED.
 - POLARIZED CAPACITORS ARE CHIP-TANTALUM TYPE UNLESS OTHERWISE INDICATED.
 - "NU" MEANS COMPONENT IS NOT USED.
 - DC VOLTAGES ARE MEASURED WITH A HIGH IMPEDANCE (10 MEGOHM) DC VOLTMETER.
 - AC VOLTAGES ARE MEASURED WITH A HIGH IMPEDANCE AC RMS VOLTMETER.
 - ALL VOLTAGE MEASUREMENTS ARE IN THE RECEIVE MODE UNLESS INDICATED AS FOLLOWS:
(R) RECEIVE MODE
(T) TRANSMIT MODE
 - MEASURED IN THE RECEIVE MODE WITH AN ON-CHANNEL UNMODULATED SIGNAL AT A LEVEL OF -20 DBM.
 - MEASURED IN THE RECEIVE MODE WITH AN ON-CHANNEL SIGNAL AT A LEVEL OF -20 DBM, MODULATED WITH 1 KHZ AT 5 KHZ DEVIATION (FOR 20/25 KHZ MODELS) OR 1.5 KHZ DEVIATION (FOR 12.5 KHZ MODELS), MEASURED WITH AN AC RMS VOLTMETER.
 - SAME AS NOTE 8 EXCEPT WITH VOLUME CONTROL ADJUSTED FOR 500 MILLIWATTS (2.82 VOLTS RMS ACROSS 16-OHM LOAD CONNECTED TO THE EXT SPKR JACK).
 - MEASURED IN THE TRANSMIT MODE WITH A 1 KHZ, 11 MV RMS SIGNAL APPLIED TO THE EXTERNAL MICROPHONE INPUT.



RPD-91101-B

Schematic Diagram for HLD9675C and HLD9677C VHF Main Boards, 146-174 MHz (sheet 1 of 2)



Schematic Diagram for HLD9675C and HLD9677C
VHF Main Boards, 146-174 MHz
(sheet 2 of 2)