

- 12B
- ENABLE
- DATA
- CLOCK
- LOCK
- AMUTE
- IF12B
- KCF12B
- AVCG
- AGND
- VTRXY
- AMDK

66/80

60

F.BLK

R.IN

G.IN

B.IN

ACL

S.OUT

G.OUT

R.OUT

VTRIG

HPULSE

INVT.P

SCL

SDA

N3.BB

4.S

AFC

HWT.PRT

PW

MTB10

B1

B1GND

XRAY

WAG

I

DK

- 12V
- AVCC
- AGND
- AUDIO
- ICP12V
- IC12V
- ENABLE
- DATA
- CLOCK
- LOOK

50/80

A-MUTE

- F.BLK
- R.IN
- G.IN
- B.IN

- B-OUT
- G-OUT
- R-OUT

- B/G
- DK
- ACL
- VTRIG
- HPVASE
- HVTP
- SCL
- SCA
- 3.5V
- 4.5V
- TVEXT
- AFC

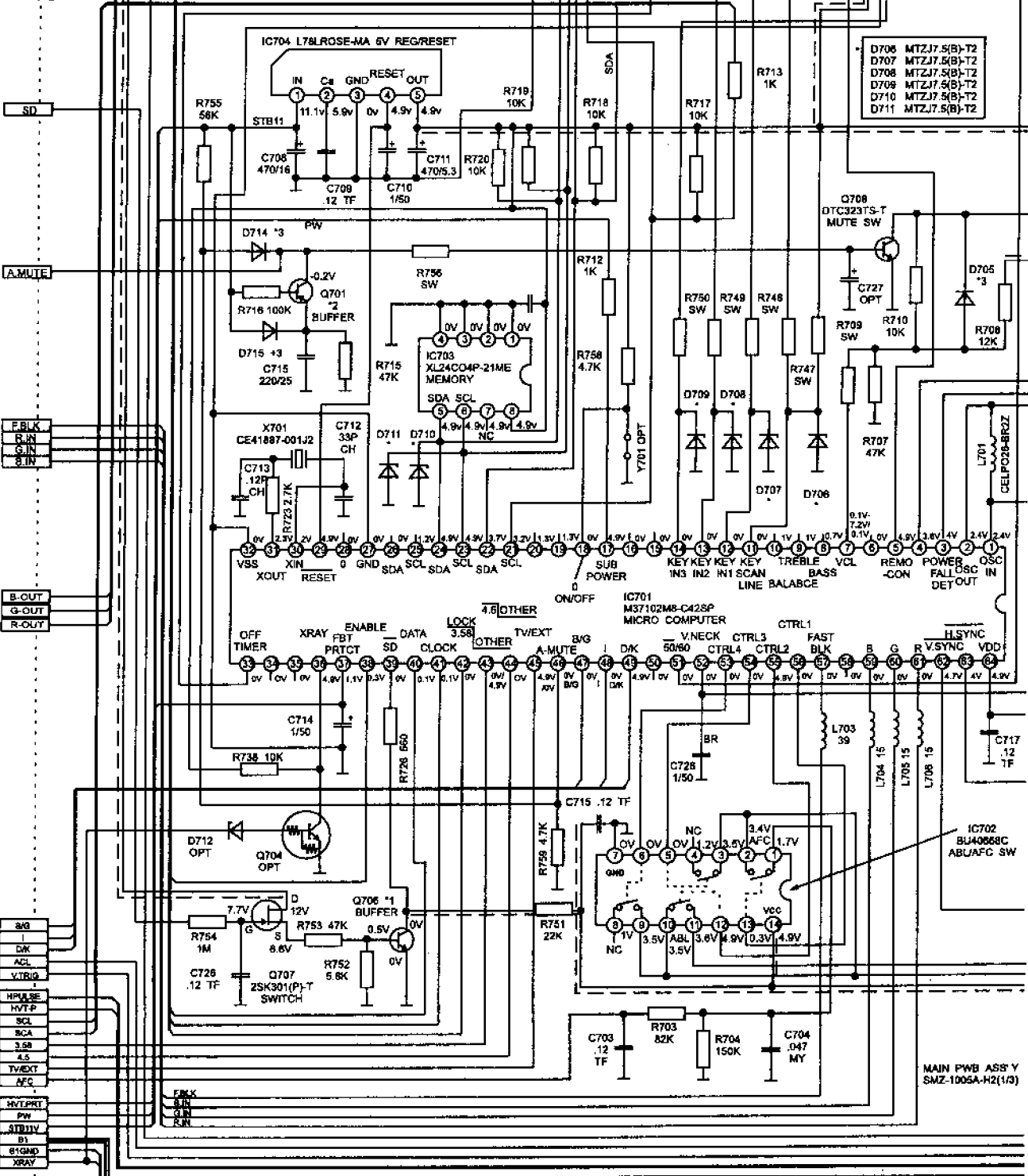
- HVTPRT
- PW
- STB11V
- B1
- B1GND
- XRAY

NOTE
 NPN To : 1: 28C17A08(CR)-T
 PNP To : 2: 28A93A5(CR)-T
 SI DICOE : 3: 18S133-T2
 CPT : NON-MOUNT(OPEN)
 : SAFETY PARTS

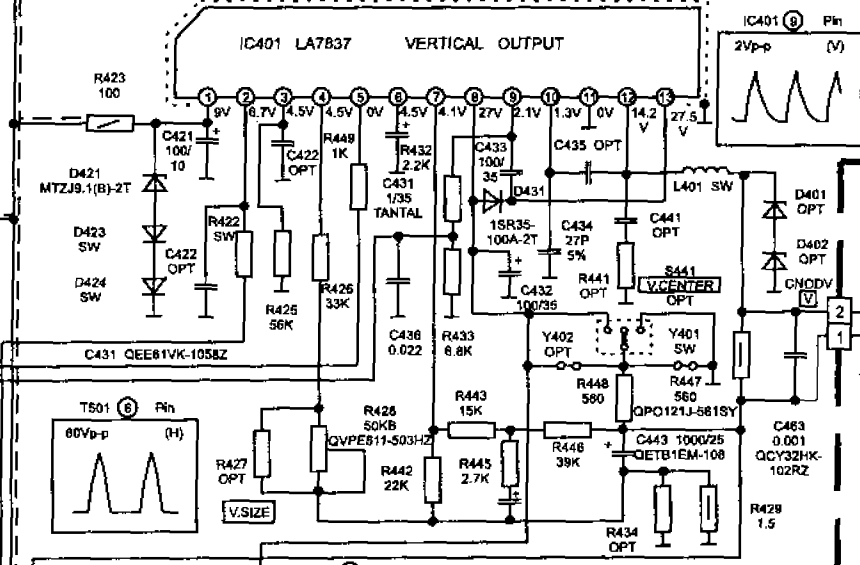
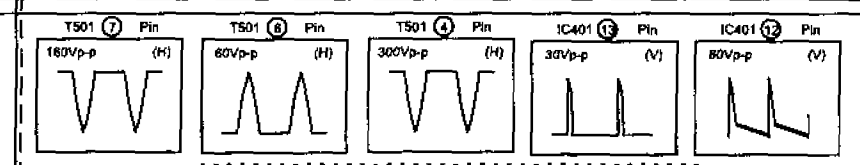
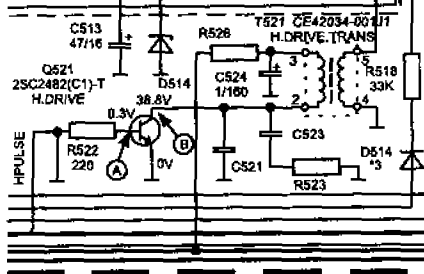
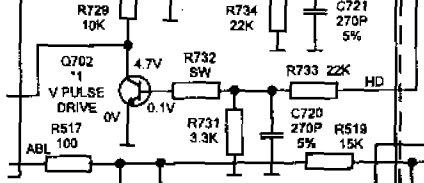
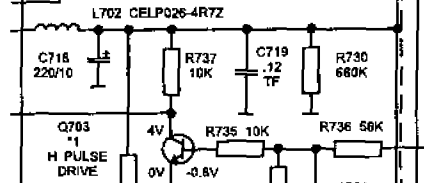
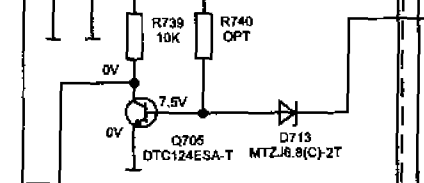
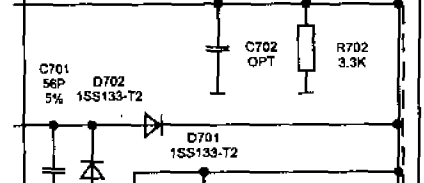
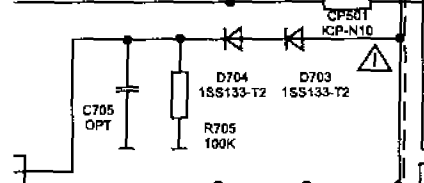
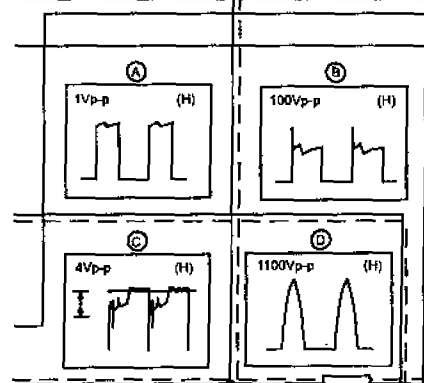
3.4V	1
3.7V	2
4.9V	3
4.9V	4
0V	5
0V	6
0V	8

1	0.1V
2	0V
3	0V
4	0V

1	0V
2	4.9V
3	4.9V
4	0V



MAIN PWB ASS'Y
 SMZ-1005A-H2(1/3)



CONTROL PWB ASSY SMZ-1005A-H2(3/3)

